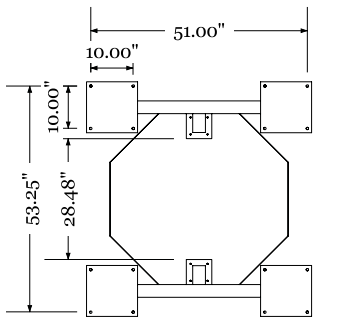
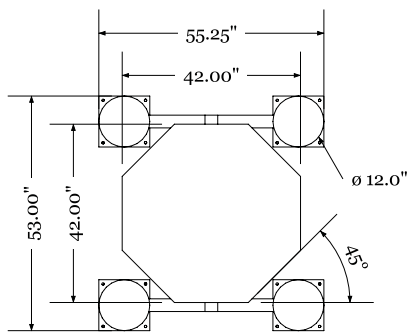


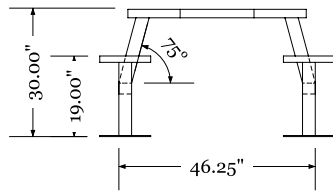
The Derby Steel™ 6 Seat Octagon Table (ADA Compliant)



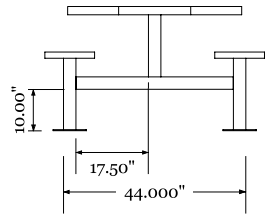
MOUNTING HOLE PATTERN DIMENSIONS



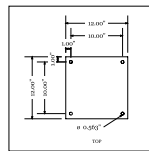
TOP



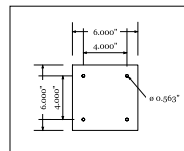
SIDE



FRONT



FLOOR MOUNT DETAIL



SEAT MOUNTING PLATE

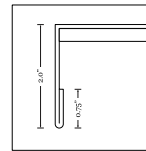
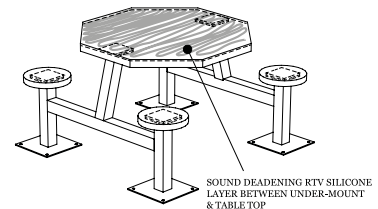
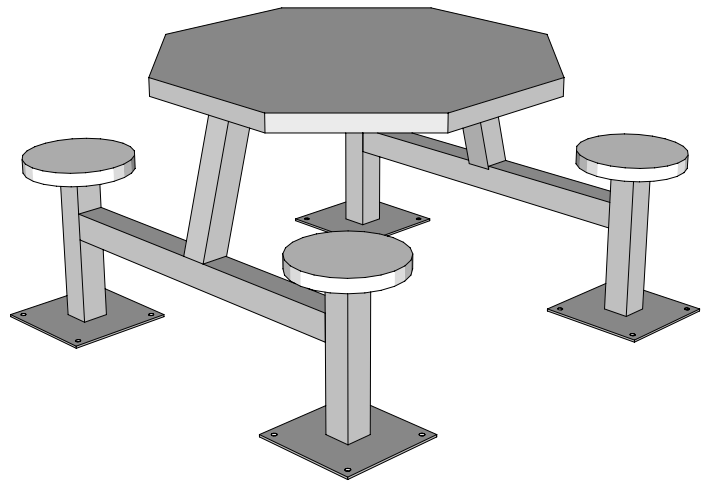


TABLE DROP EDGE HEM DETAIL



SOUND DEADENING RTV SILICONE LAYER BETWEEN UNDER-MOUNT & TABLE TOP

OVERVIEW

Heavy duty floor mounted steel table. For use in correctional facilities. ADA compliant table is wheelchair accessible.

FABRICATION

All welded construction. The base frame features 3" steel box tubing welded at the top to 1/4" mounting plates for installing table top and stool seats. A 1/4" steel under-mount plate is stitch welded to the under side of the stainless steel table top. A layer of RTV silicone is applied between the table top and the under-mount plate to reduce noise and vibration. Two 1/4" threaded mounting plates are welded to the under-mount plate for fastening to the frame with security screws. 12" diameter stainless steel stool seats with 1 1/2" drop edge with threaded mounting plates welded to the underside for securing to seat mounting plates. Steel 1/4" floor mounting plates with 9/16" diameter holes are provided for welding or bolting to the floor.

MATERIAL

- 42" x 42" 14 gauge stainless steel Type 304 2B finish octagon table top.
- 12" diameter stool seat top with a 1 1/2" drop edge and steel 1/4" threaded mounting plate welded to a 10 gauge under-mount.
- 3" standard box tubing support frame.
- Steel 1/4" frame mounting plates.
- Steel 1/4" under-mount table plate with two steel 1/4" threaded mounting plates welded on for securing to base frame mounting plates.

COLOR

Vitracoat T.K. Gray.

WEIGHT

TBD.

OPTIONS

Hemmed table top edges.

ASSEMBLY

Attach seat tops and table top to support base frame.

INSTALLATION

Bolt or weld to floor.*

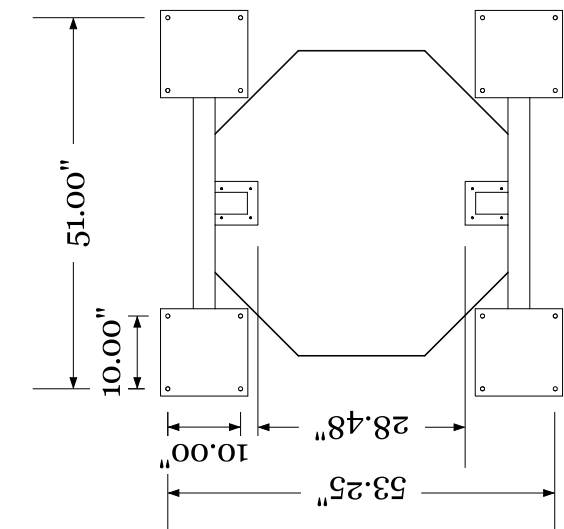
WARRANTY

1 year limited replacement warranty.

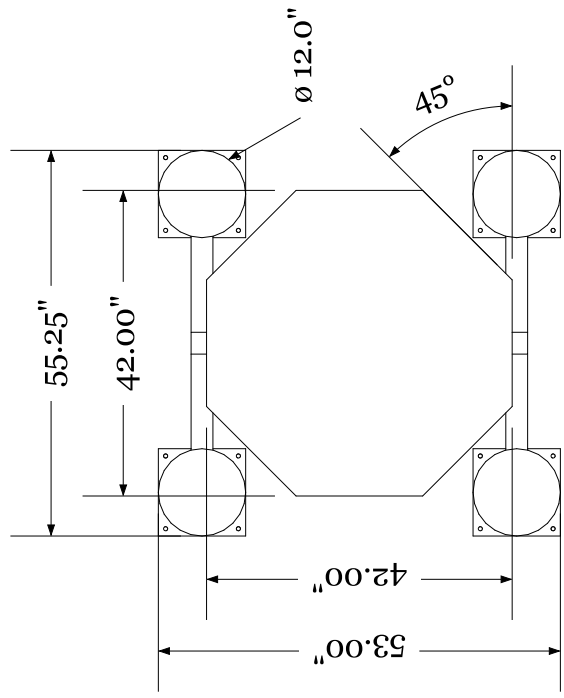
MAINTENANCE

Easy clean up with a damp cloth and mild detergent.

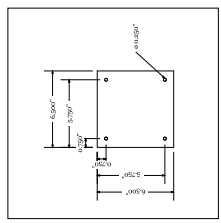
*Floor and wall mounting hardware not included.



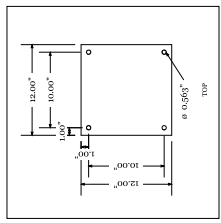
MOUNTING HOLE PATTERN DIMENSIONS



TOP



MOUNTING PLATE DETAIL



FLOOR MOUNT DETAIL

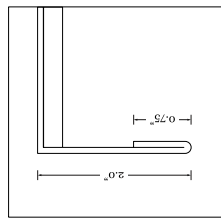
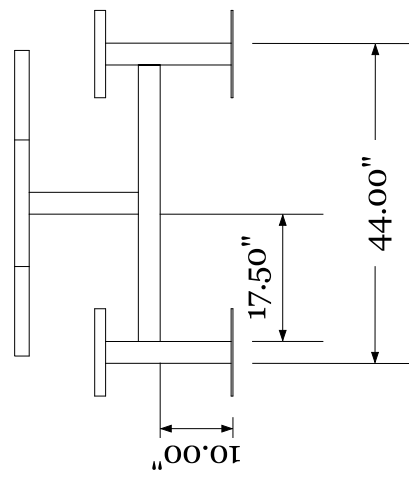
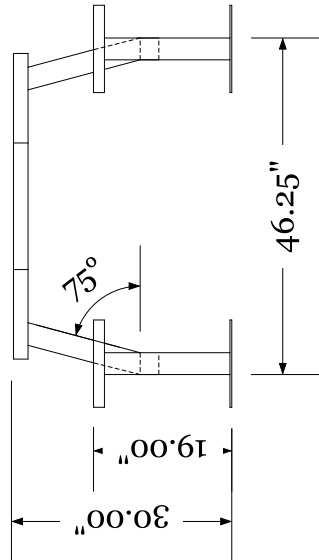


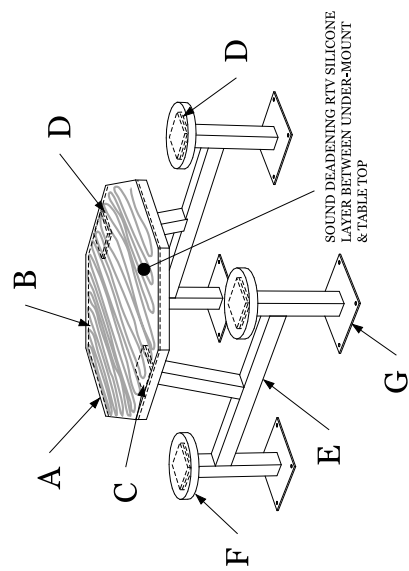
TABLE DROP EDGE BLEM DETAIL



FRONT



SIDE



ITEM	DESCRIPTION	QTY
A	TABLE TOP, 304 STAINLESS STEEL, 14 G.	1
B	TABLE UNDER-MOUNT, SHEET METAL, 1/4"	1
C	THREADED MOUNTING PLATE, SHEET METAL, 1/4"	2
D	MOUNTING PLATE, SHEET METAL, 1/4"	4
E	SUPPORT, 3" BOX TUBING, 14 G.	8
F	STOOL TOP, 304 STAINLESS STEEL, TIBD	4
G	FLOOR MOUNTING PLATE, SHEET METAL, 1/4"	4

STANDARD TOLERANCES .X = ±.12" .XX = ±.06" .XXX = ±.03" ANGLE = ± 1°

DERBY INDUSTRIES

6 Seat Octagon Table (ADA Compliant)

REVISIONS	
MM/DD/YY	REMARKS
08/28/13	Changed floor mounts to 12" square
1	...
2	...
3	...
4	...
5	...