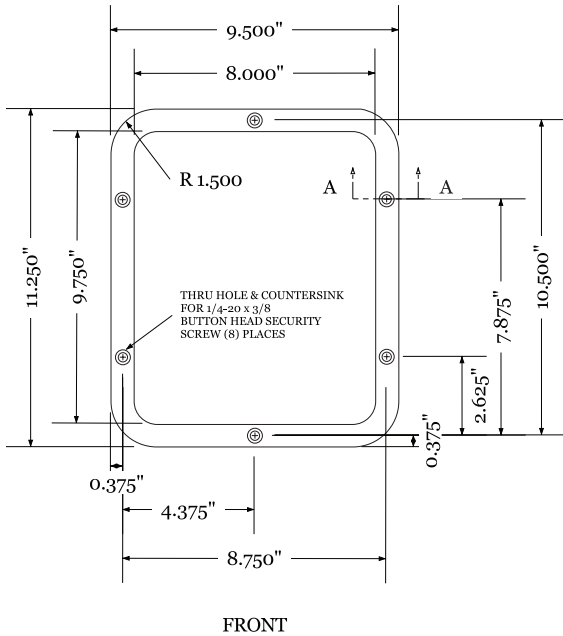
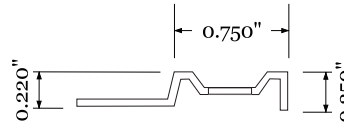


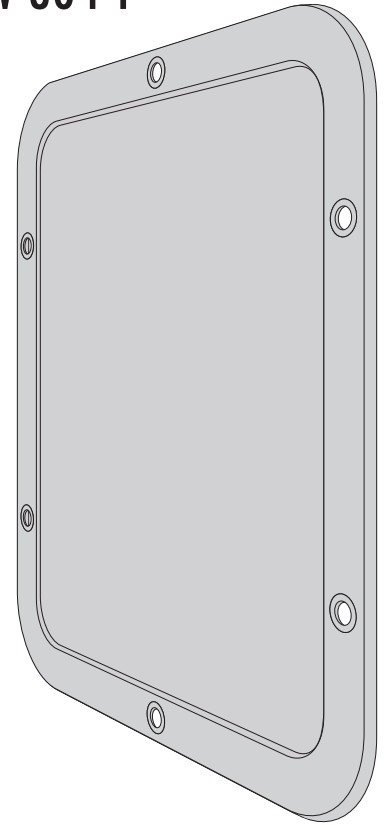
## Small 1 Pc. Security Mirror NW 604-1



SIDE



SECTION A-A



### OVERVIEW

One-piece security mirror for correctional or institutional facilities.

### FABRICATION

18 gauge formed stainless steel polished to a mirror finish. Six countersunk mounting holes for 1/4-20 x 3/8" security button head screws.

### MATERIAL

- 18 gauge stainless steel.

### WEIGHT

TBD

### ASSEMBLY

No assembly required.

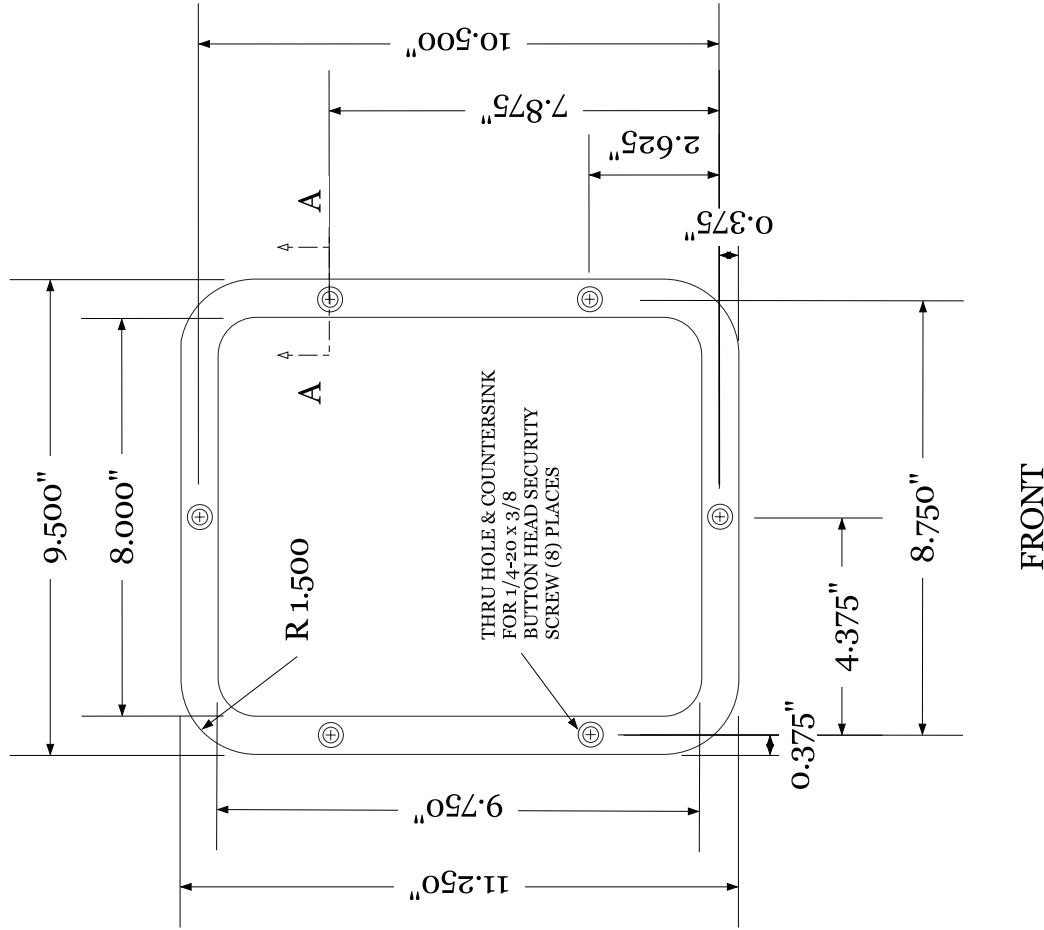
### INSTALLATION

Surface mount to wall. Anchor kit and mirror backplate are available upon request\*

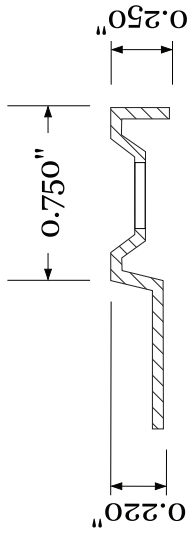
### MAINTENANCE

You should always clean the Security Mirror with a non-abrasive cleaner without harsh chemicals (such as Sprayway®), and utilize ONLY a non-abrasive microfiber towel.

\*Floor and wall mounting hardware not included.



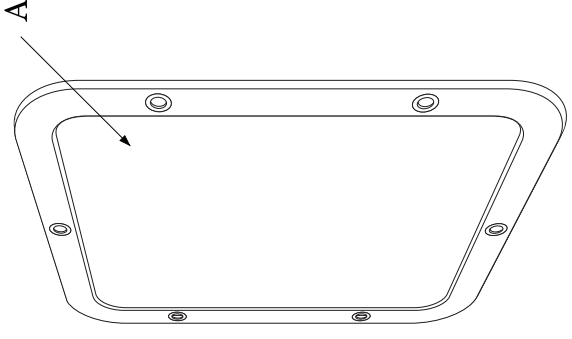
FRONT



SECTION A-A



SIDE



ITEM	DESCRIPTION	QTY
A	MIRROR, STAINLESS STEEL, 18 G.	1

UNLESS OTHERWISE SPECIFIED:  
DIMENSIONS ARE IN INCHES  
.XX = ±.030° .XXX = ±.010° ANGLE = ±1°

**DERBY**  
INDUSTRIES

Small 1 Piece Security Mirror  
NW 604-1

REVISIONS		REMARKS
MM/DD/YY		
1	---	...
2	---	...
3	---	...
4	---	...
5	---	...