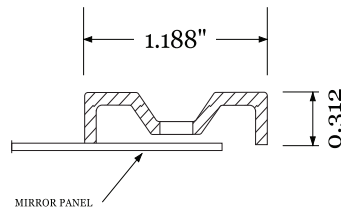
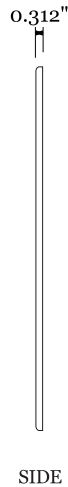
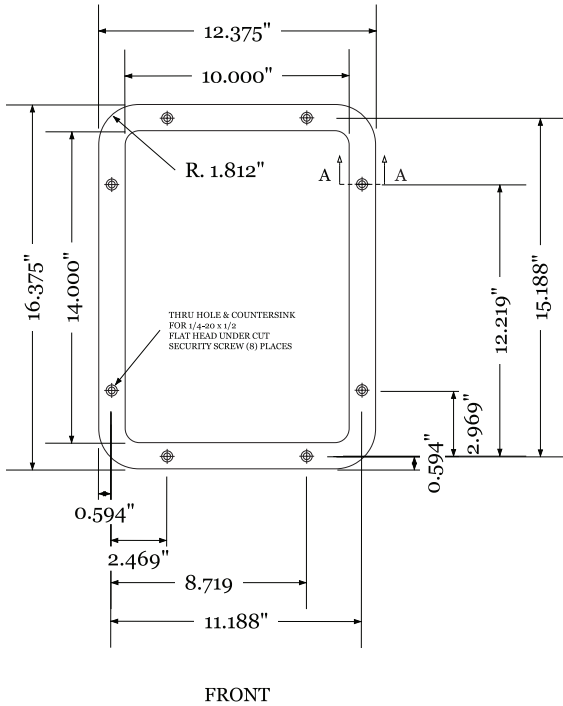
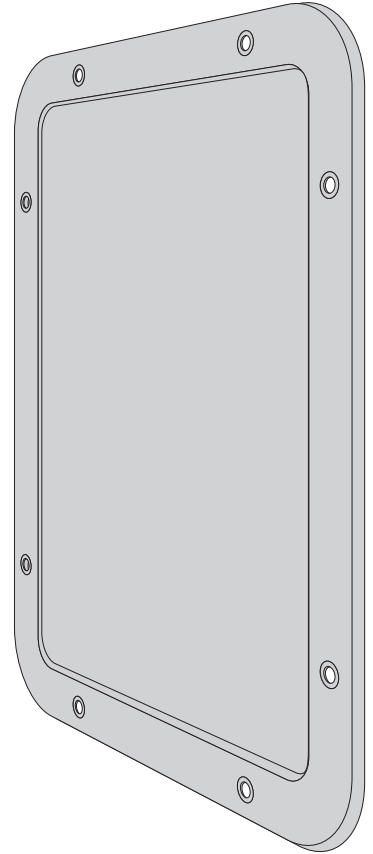


Large 2 Pc. Security Mirror NW 605-2



SECTION A-A



OVERVIEW

Two-piece security mirror for correctional or institutional facilities.

FABRICATION

Frame is formed 14 gauge stainless steel w/ satin chrome finish. Mirror panel is cut 20 gauge stainless steel polished to a mirror finish. Eight countersunk mounting holes for 1/4-20 x 1/2" security flat head screws.

MATERIAL

- 20 gauge stainless steel mirror panel.
- 14 gauge stainless steel frame.

WEIGHT

TBD

ASSEMBLY

No assembly required.

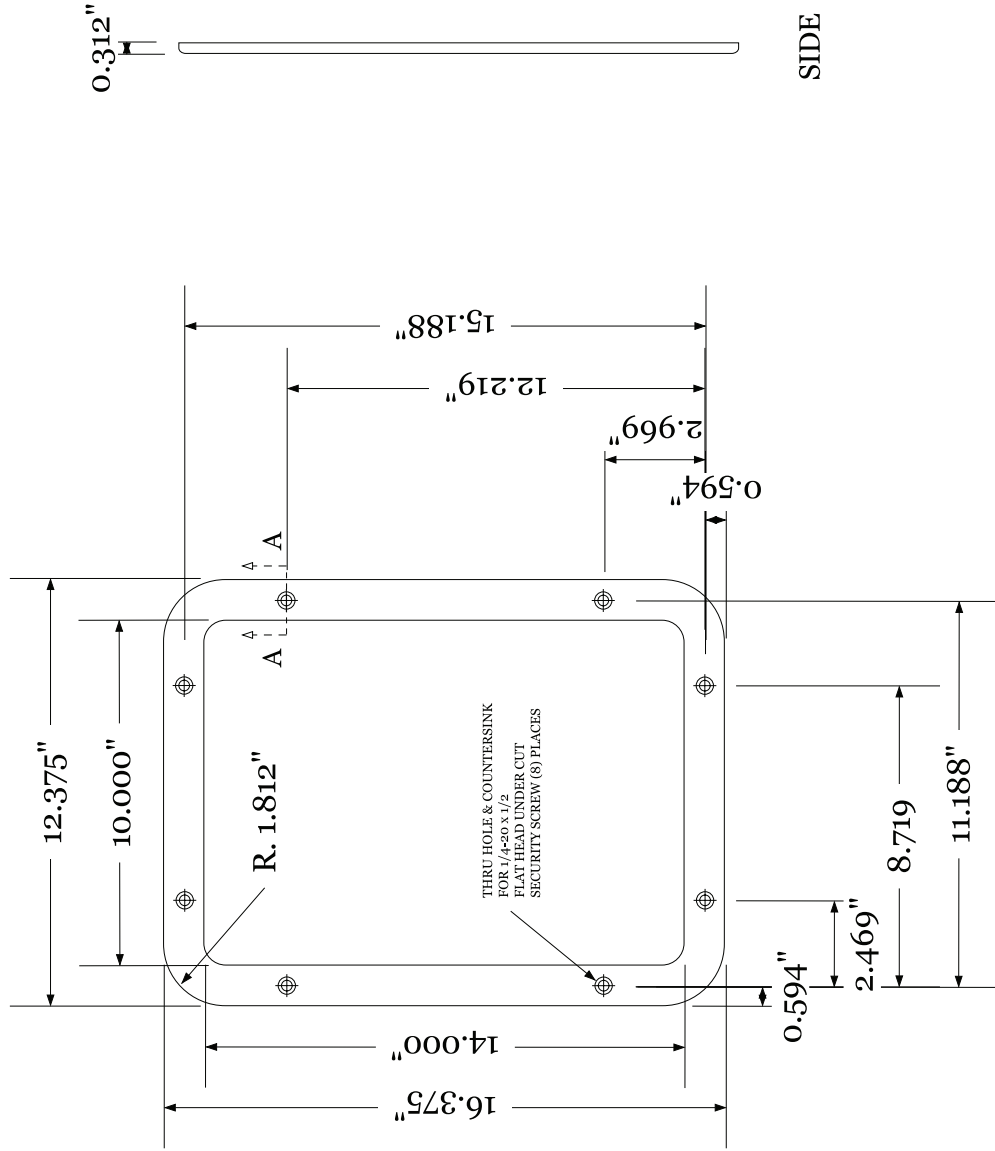
INSTALLATION

Surface mount to wall. Anchor kit and mirror backplate are available upon request*

MAINTENANCE

You should always clean the Security Mirror with a non-abrasive cleaner without harsh chemicals (such as Sprayway®), and utilize ONLY a non-abrasive microfiber towel.

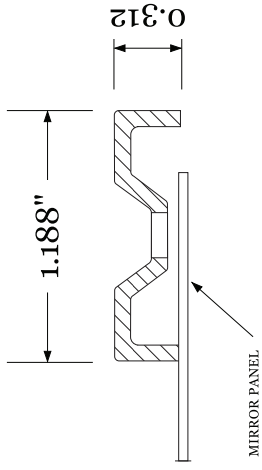
*Floor and wall mounting hardware not included.



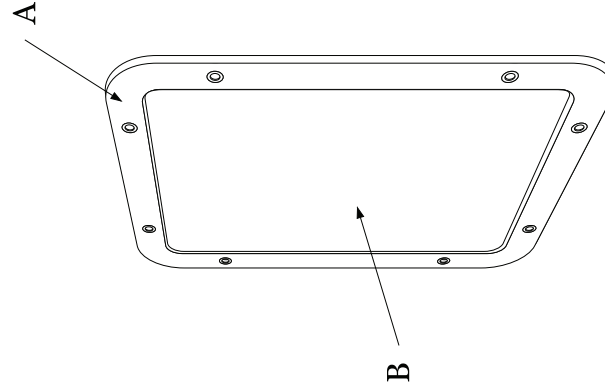
FRONT



SIDE



SECTION A-A



ITEM	DESCRIPTION	QTY
A	FRAME, STAINLESS STEEL, 14 G.	1
B	PANEL, STAINLESS STEEL, 20 G.	1

UNLESS OTHERWISE SPECIFIED:
DIMENSIONS ARE IN INCHES
.XX = ±.030" .XXX = ±.010" ANGLE = # °

DERBY
INDUSTRIES

Large 2 Piece Security Mirror
NW 605-2

REVISIONS	
MM/DD/YY	REMARKS
1	...
2	...
3	...
4	...
5	...