

## OVERVIEW

Heavy duty steel safety rail intended for Derby bunks.

## FABRICATION

All welded steel bunk rail. All bunk rails have a baked-on polyester powder coat semi-gloss finish.

## MATERIAL

- 1" box tubing.
- Steel 1/4" bunk mounts.

## COLOR

Vitraccoat T.K. Gray.

## WEIGHT

TBD

## OPTIONS

- Prime coat.
- Custom sizes available.

## ASSEMBLY

No assembly required.

## INSTALLATION

N/A

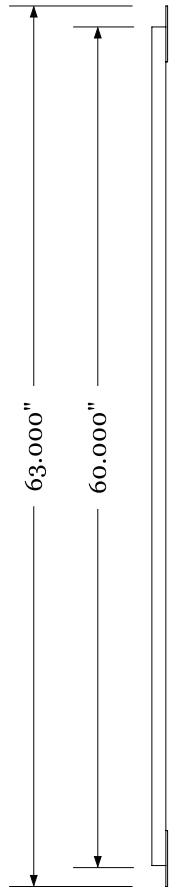
## WARRANTY

1 year limited replacement warranty.

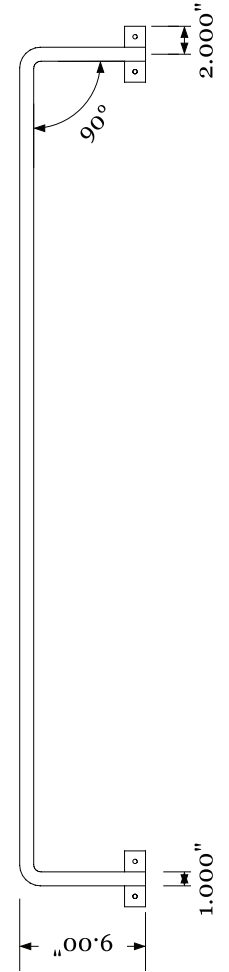
## MAINTENANCE

Easy clean up with a damp cloth and mild detergent.

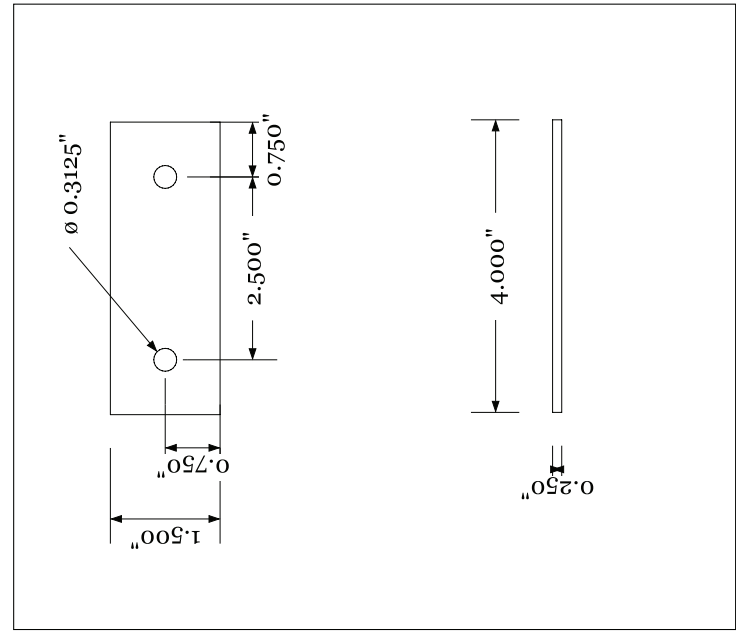
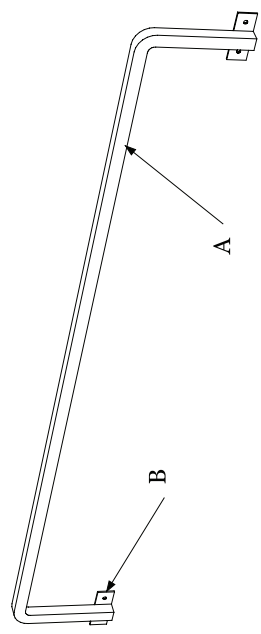
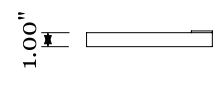
*\*Floor and wall mounting hardware not included.*



TOP



FRONT



DETAIL OF SAFETY RAIL BUNK MOUNT

ITEM	DESCRIPTION	QTY
A	SECURITY RAIL, 1" BOX TUBING, 1/8"	1
B	BUNK MOUNT, SHEET METAL, 1/4"	2

STANDARD TOLERANCES  
 .X = ±.12" .XX = ±.06" .XXX = ±.03" ANGLE = ± 1°

**DERBY**  
INDUSTRIES

Optional Bunk Safety Rail

REVISIONS	
MM/DD/YY	REMARKS
1	...
2	...
3	...
4	...
5	...