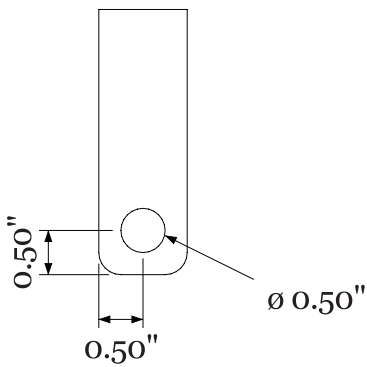
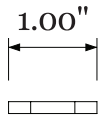


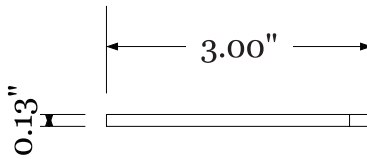
# The Derby Steel™ Optional Welded Locking Hasp



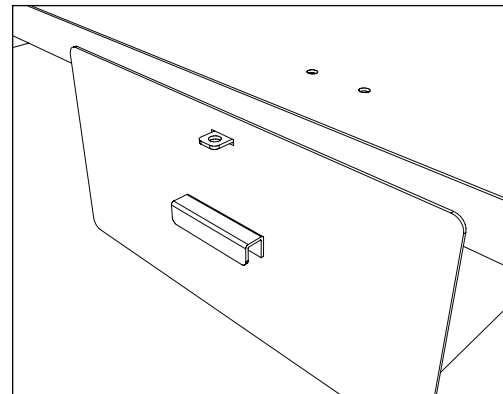
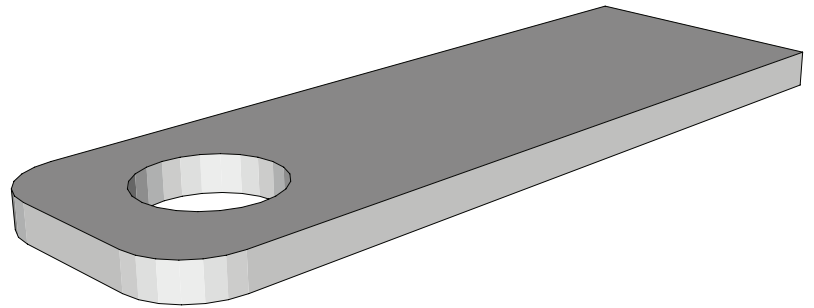
TOP



FRONT



SIDE



DETAIL OF LOCKING HASP ON BUNK

## OVERVIEW

Heavy duty steel locking hasp intended for the Derby Steel™ bunk system.

## FABRICATION

Laser cut hasp. All hasps have a baked on polyester powder coat semi-gloss finish. Hasp has a 1/2" diameter hole for standard padlocks. 10 gauge steel hasps are welded to the under side of the bed pan for the Derby Steel™ drawer.

## MATERIAL

- 10 gauge steel hasp.

## COLOR

Vitraccoat T.K. Gray.

## WEIGHT

TBD

## OPTIONS

- Prime coat.
- Custom sizes available.

## ASSEMBLY

No assembly required.

## INSTALLATION

N/A

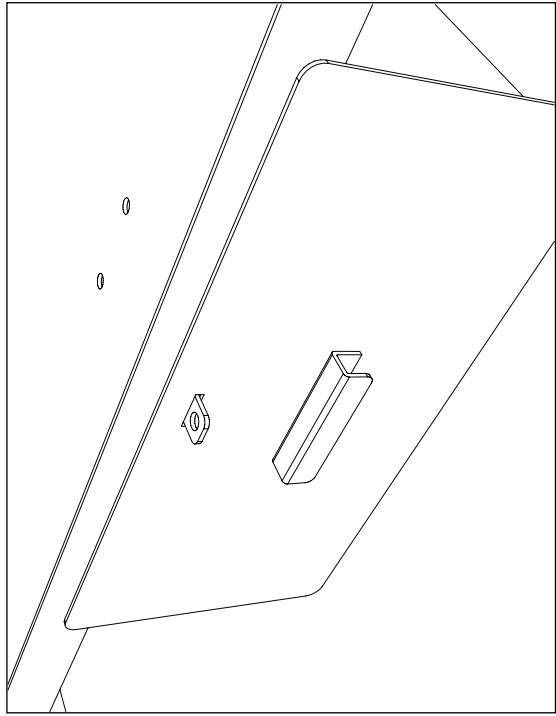
## WARRANTY

1 year limited replacement warranty.

## MAINTENANCE

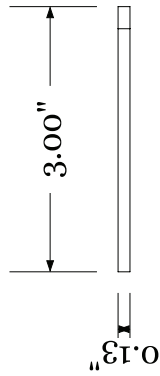
Easy clean up with a damp cloth and mild detergent.

\*Floor and wall mounting hardware not included.

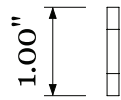


TOP

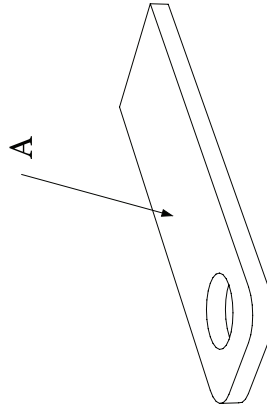
DETAIL OF LOCKING HASP ON BUNK



SIDE



FRONT



REVISIONS	
MM/DD/YY	REMARKS
1	...
2	...
3	...
4	...
5	...


  
**DERBY INDUSTRIES**

Optional Locking Hasp

ITEM	DESCRIPTION	QTY
A	HASP, SHEET METAL, 10 G. HRPO	0

STANDARD TOLERANCES  
 .X = ±.12"    .XX = ±.06"    .XXX = ±.03"    ANGLE = ± 1°