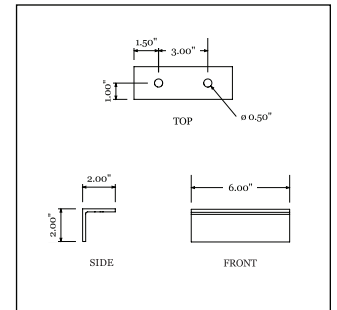
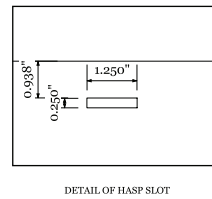
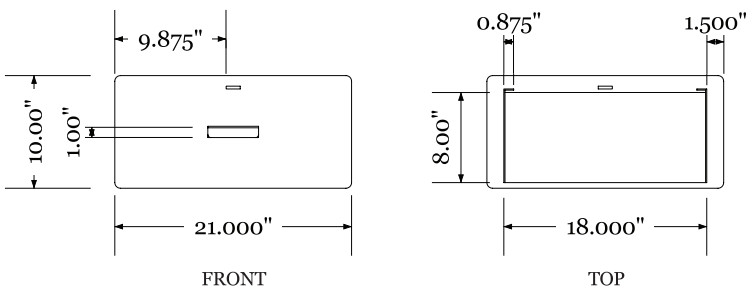
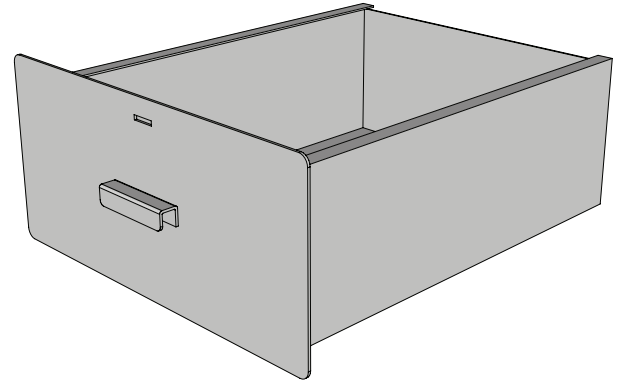
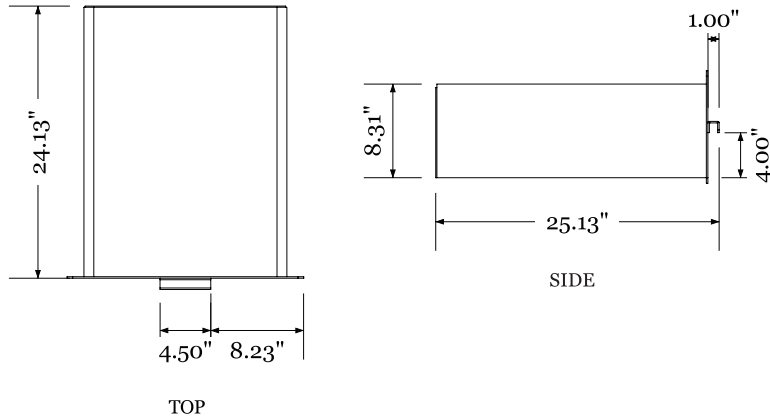


# The Derby Steel™ Optional Welded Drawer



## OVERVIEW

Heavy duty steel bunk drawer intended for secured personal storage.

## FABRICATION

Laser cut and welded steel bunk drawer. All bunk drawers have a baked-on polyester powder coat semi-gloss finish. Drawer stop is bolted to bottom of bed pan.

## MATERIAL

- 18" x 24" 12 gauge steel drawer.
- 8" x 18" 10 gauge faceplate with laser cut hasp slot.
- 10 gauge drawer handle.
- 2" x 2" x 3/16" standard angle drawer stop.

## COLOR

Vitracoat T.K. Gray.

## WEIGHT

TBD

## OPTIONS

- Prime coat.

## ASSEMBLY

No assembly required.

## INSTALLATION

N/A

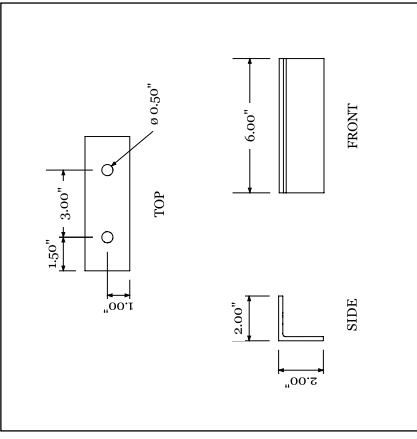
## WARRANTY

1 year limited replacement warranty.

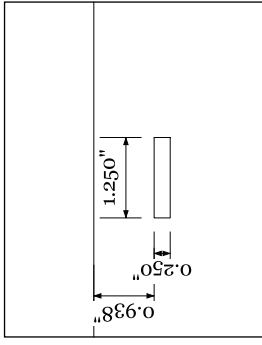
## MAINTENANCE

Easy clean up with a damp cloth and mild detergent.

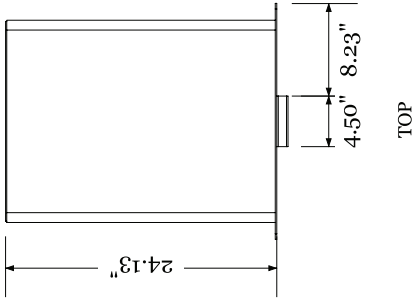
\*Floor and wall mounting hardware not included.



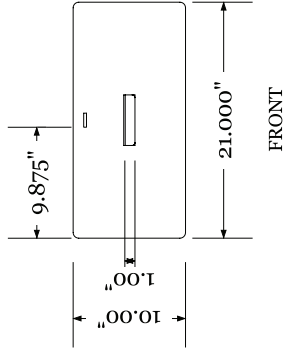
DETAIL OF DRAWER STOP



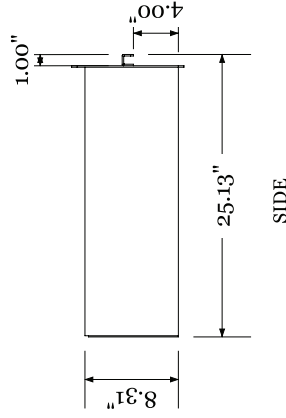
DETAIL OF HASP SLOT



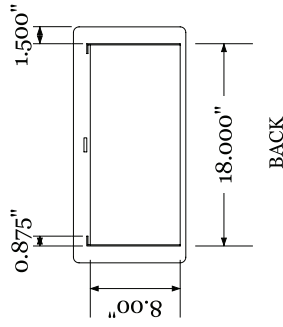
TOP



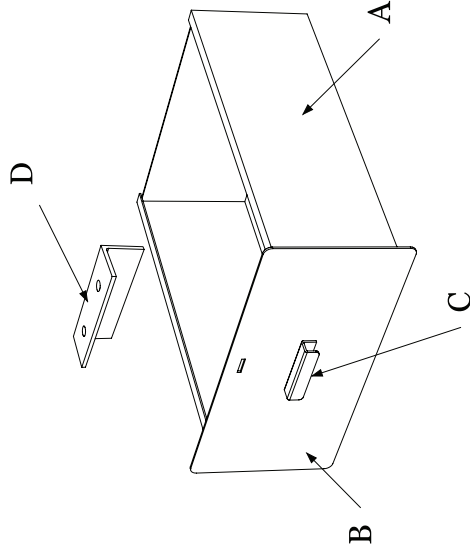
FRONT



SIDE



BACK



REVISIONS	
MM/DD/YY	REMARKS
1	...
2	...
3	...
4	...
5	...



Optional Bunk Drawer

ITEM	DESCRIPTION	QTY
A	DRAWER, SHEET METAL, 12 G. HRPO	1
B	FACEPLATE, SHEET METAL, 10 G. HRPO	1
C	HANDLE, SHEET METAL, 10 G. HRPO	1
D	SECURITY STOP, STRUCTURAL ANGLE, 2" x 2" x 3/16"	1

STANDARD TOLERANCES  
 X = ±.12" .XX = ±.06" .XXX = ±.03" ANGLE = ± 1°