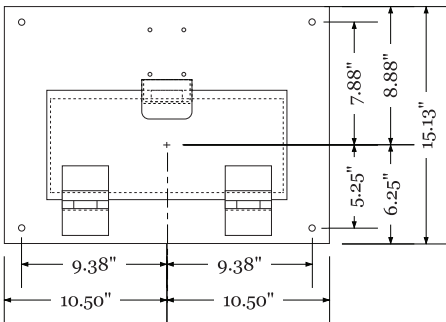
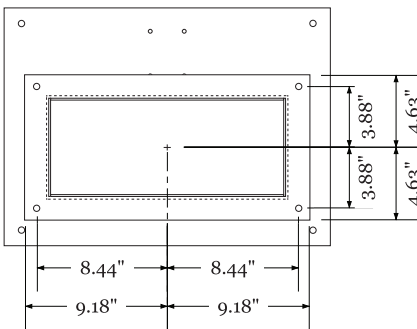


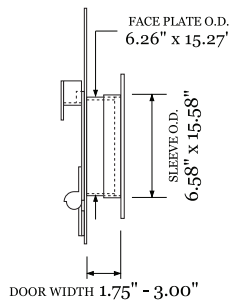
Food Pass/Cuff Port NW 690



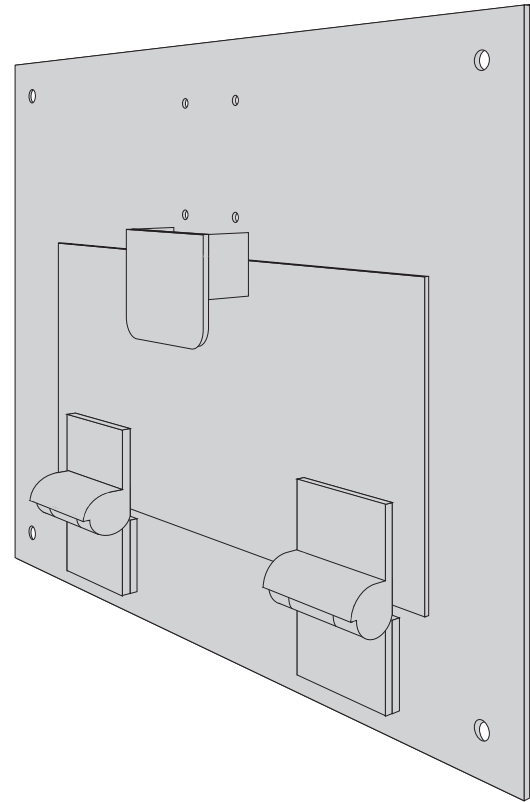
FRONT



BACK



SIDE



OVERVIEW

Steel food pass/cuff port applicable to wood or hollow metal doors. For correctional or institutional facilities.

FABRICATION

10 gauge steel frame. $\frac{3}{16}$ " steel pass door. 3" hinges with 90 degree stop. Manufactured upon customer specific lock dimensions. Fully adjustable to fit 1 $\frac{3}{4}$ " or 2" door applications.

MATERIAL

- 10 gauge steel frame.
- Steel $\frac{3}{16}$ " door.

FINISH

USP Prime painted.

WEIGHT

TBD

ASSEMBLY

No assembly required.

INSTALLATION

Mount into door opening.*

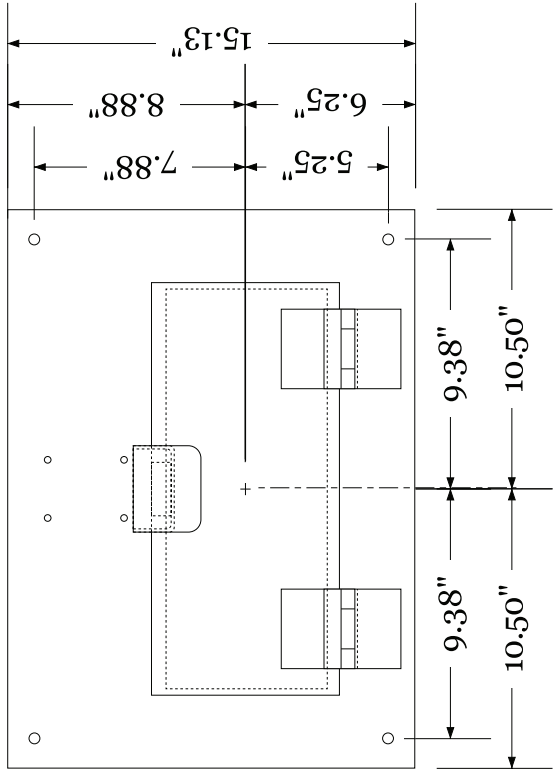
OPTIONS

- Type 304 Stainless steel.
- Mechanical lock, padlock or slide bolt versions

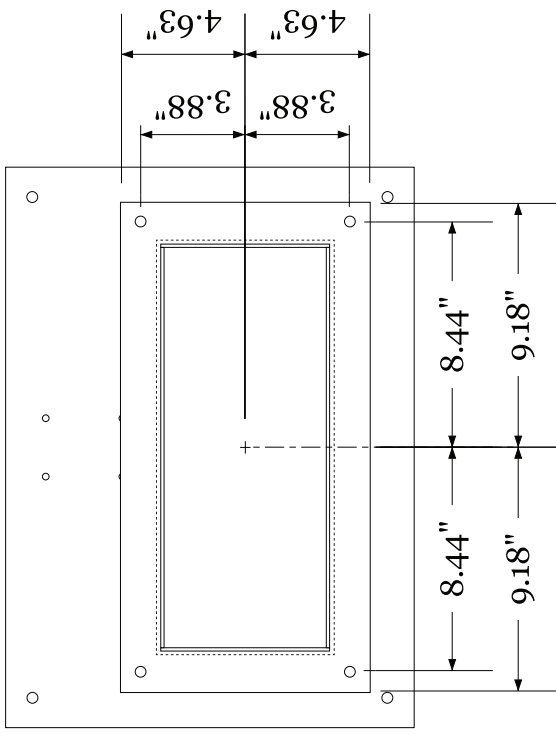
MAINTENANCE

Easy clean up with a damp cloth and mild detergent.

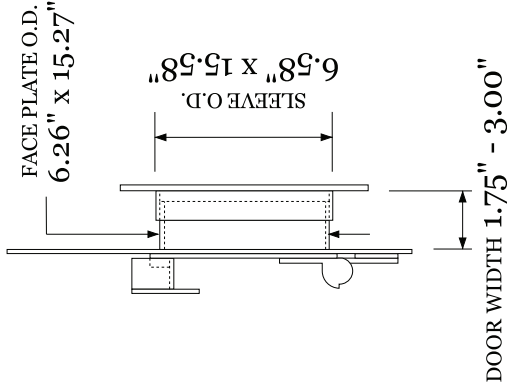
*Mounting hardware not included.



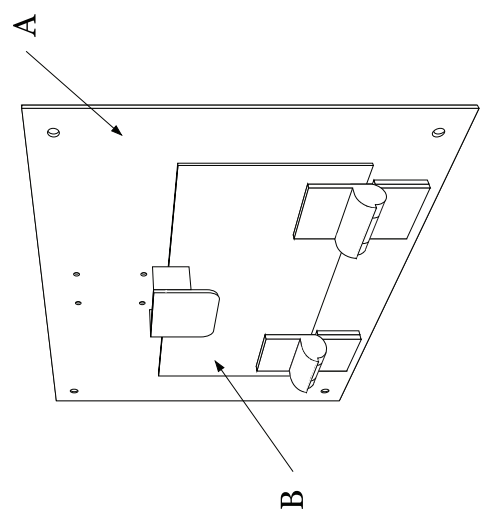
FRONT



BACK



SIDE



ITEM	DESCRIPTION	QTY
A	FRAME, SHEET METAL, 10 G.	1
B	DOOR, SHEET METAL, 3/16"	1

UNLESS OTHERWISE SPECIFIED:
DIMENSIONS ARE IN INCHES
.XX = ±.030" .XXX = ±.010" ANGLE = ± 1°

DERBY INDUSTRIES

Food Pass/Cuff Port
NW 690

REVISIONS		REMARKS
MM/DD/YY		
1	---	...
2	---	...
3	---	...
4	---	...
5	---	...