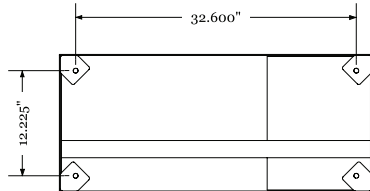
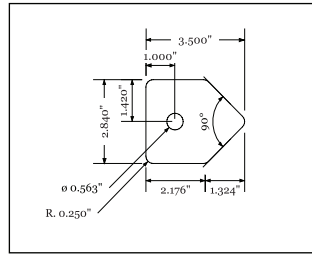


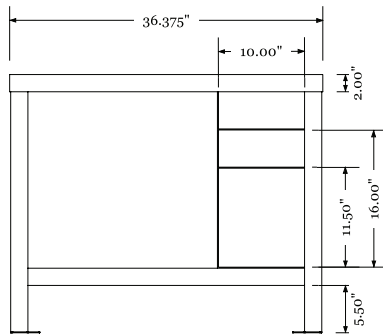
The Derby Steel™ Welded Desk w/ Floor Mounts



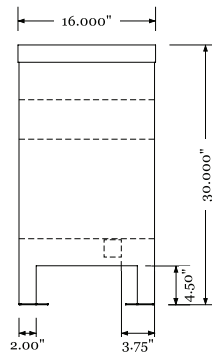
MOUNTING HOLE PATTERN DIMENSIONS



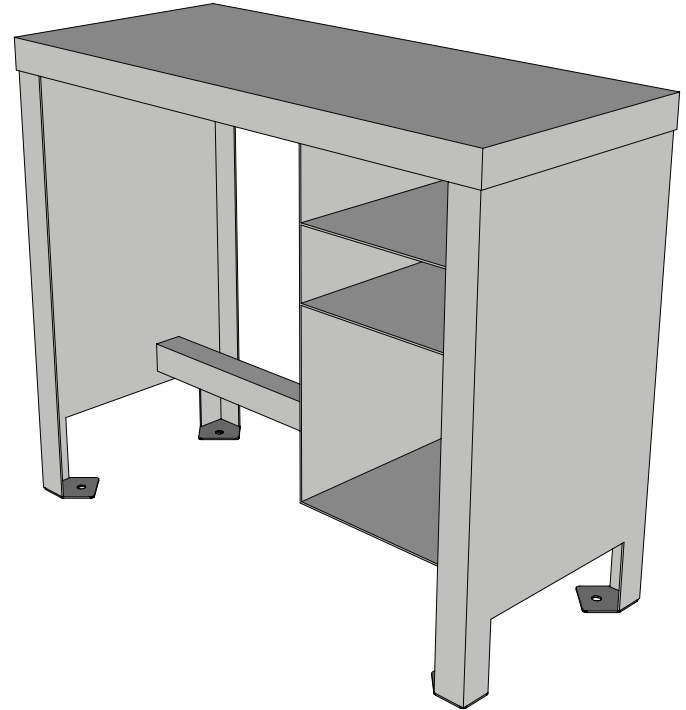
FLOOR MOUNT DETAIL



FRONT



SIDE



OVERVIEW

Heavy duty floor mounted steel desk with three shelves and foot rest. For use in institutional or correctional facilities.

FABRICATION

All welded construction. Rounded edges and perimeters. All desks have a baked-on polyester powder coat semi-gloss finish.

MATERIAL

- 16" x 36 3/8" 11 gauge steel desk top.
- Formed 11 gauge steel sides and legs.
- 12 gauge floor mounting tabs with 9/16" diameter holes are provided for welding or bolting to the floor.
- 2" box tube steel foot rest.

COLOR

Vitracoat T.K. Gray.

WEIGHT

TBD

OPTIONS

- Stainless steel desktop Type 304 2B Finish.
- Floor mounted stool.
- Prime coat.
- Custom sizes available.

ASSEMBLY

No assembly required.

INSTALLATION

Weld or bolt unit to wall plates or bolt to floor.*

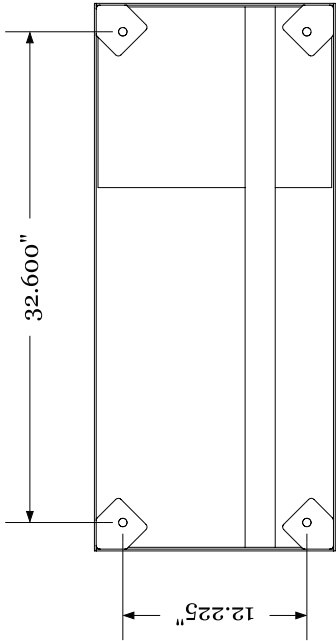
WARRANTY

1 year limited replacement warranty.

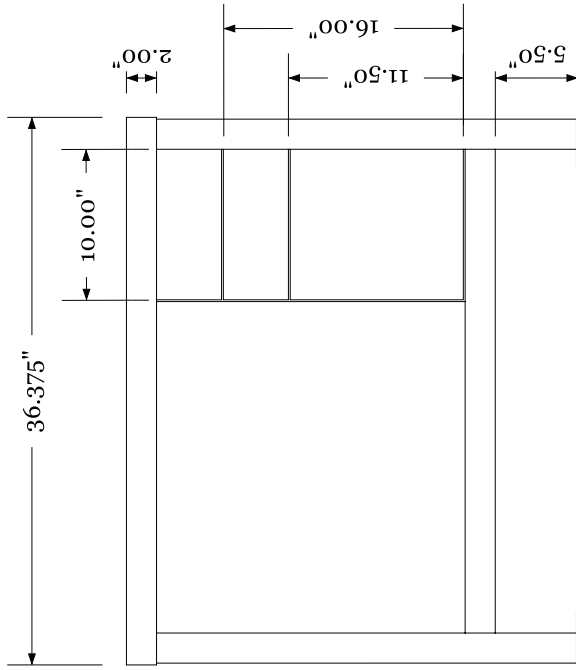
MAINTENANCE

Easy clean up with a damp cloth and mild detergent.

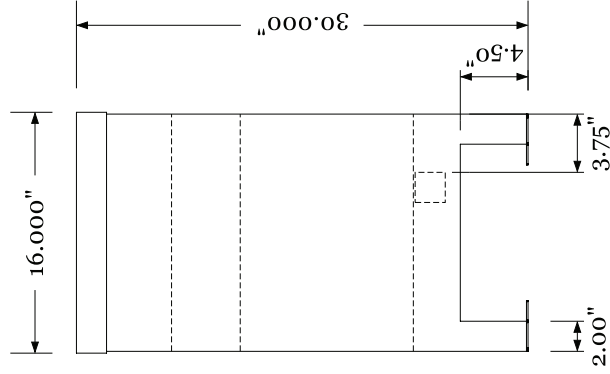
*Floor and wall mounting hardware not included.



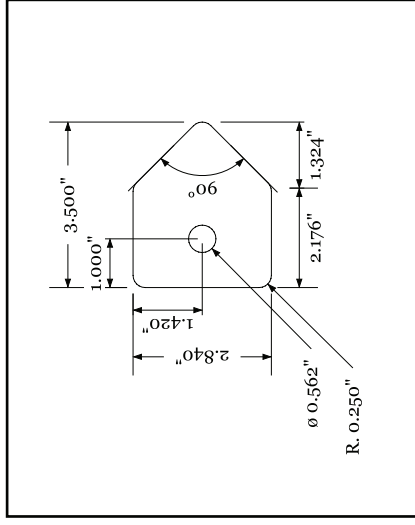
MOUNTING HOLE PATTERN DIMENSIONS



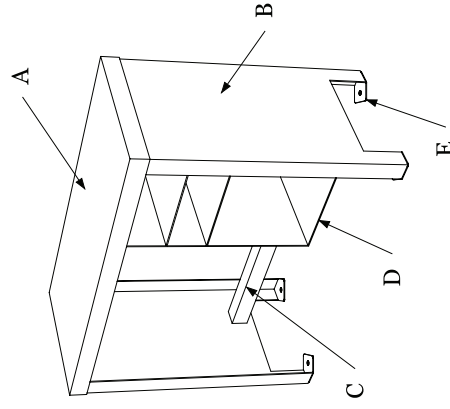
FRONT



SIDE



FLOOR MOUNT DETAIL



ITEM	DESCRIPTION	QTY
A	DESK TOP, SHEET METAL, 11 G. HRPO	1
B	SIDE, SHEET METAL, 11 G. HRPO	2
C	SUPPORT BAR, 2" BOX TUBING, 1/8"	1
D	SHELVING, SHEET METAL, 11 G. HRPO	3
E	FLOOR MOUNT, SHEET METAL, 12 G. HRPO	4

STANDARD TOLERANCES
 .X = ±.12" .XX = ±.06" .XXX = ±.03" ANGLE = ± 1°



DERBY INDUSTRIES

Cell Floor Desk (Welded)

REVISIONS	
MM/DD/YY	REMARKS
1	...
2	...
3	...
4	...
5	...