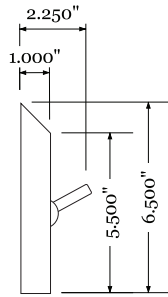
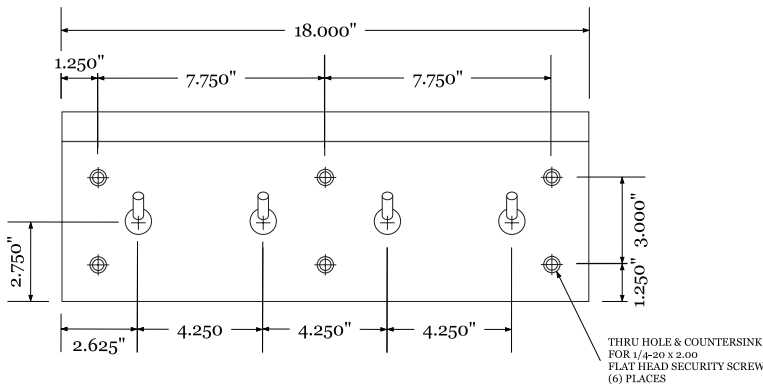
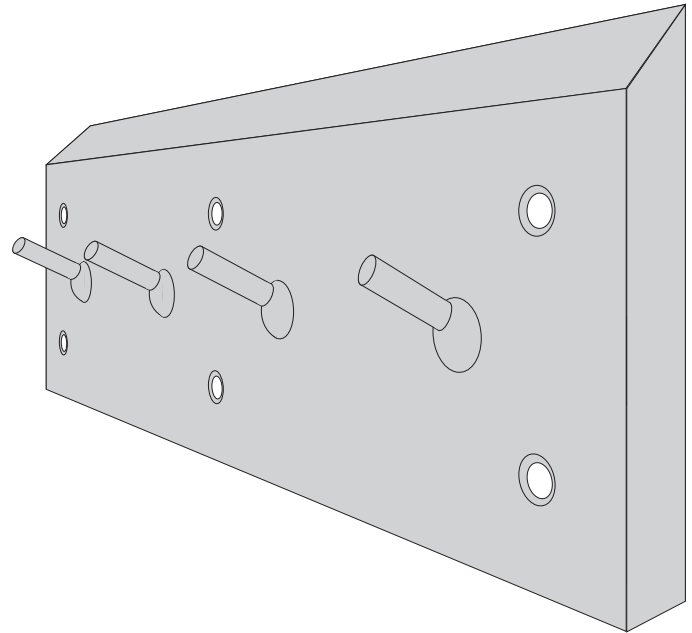


# Clothes Hook Strip (4 Hook) NW 608-4S



SIDE



FRONT

## OVERVIEW

Stainless steel clothes hook with collapsible ball-joint.

## FABRICATION

14 gauge stainless steel slope top housing. Four countersunk mounting holes for 1/4-20 x 2" flat head security screws. Collapsible ball joint. Sloped top.

## MATERIAL

- Type 304, 14 gauge stainless steel.
- Nylon insert.

## FINISH

US32D.

## WEIGHT

TBD

## ASSEMBLY

No assembly required.

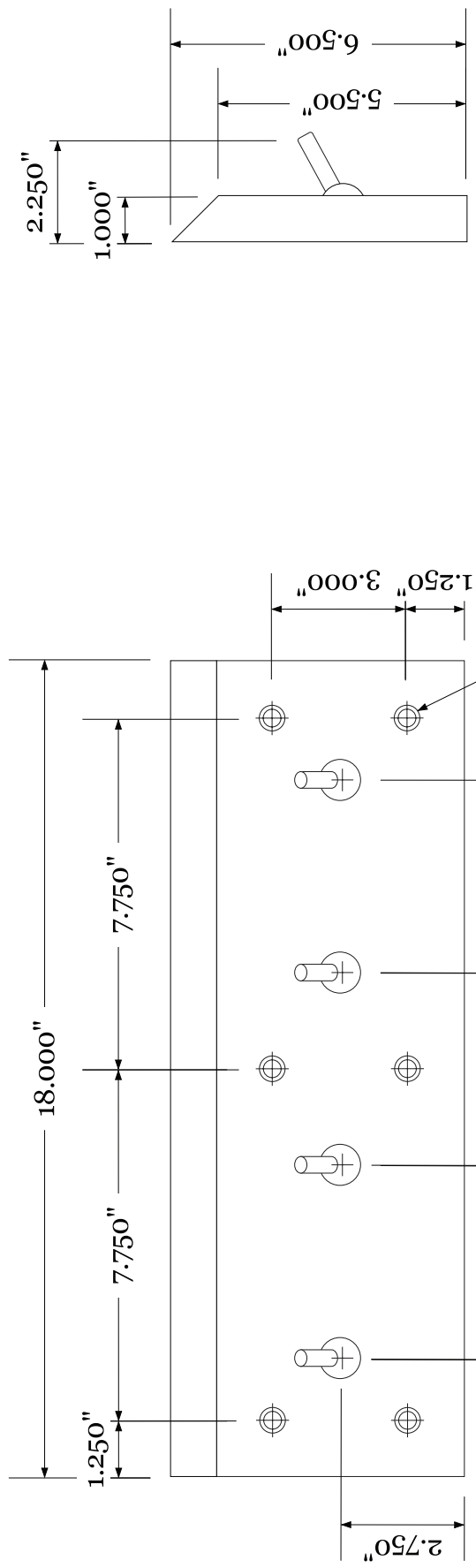
## INSTALLATION

Surface mount to wall.\*

## MAINTENANCE

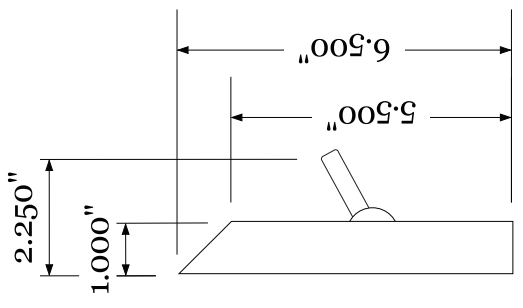
Easy clean up with a damp cloth and mild detergent.

\*Floor and wall mounting hardware not included.

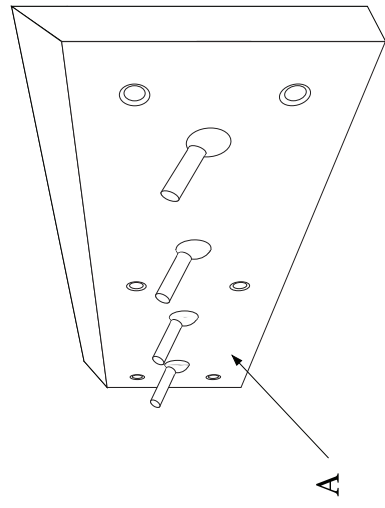


THRU HOLE & COUNTERSINK  
FOR 1/4-20 x 2.00  
FLAT HEAD SECURITY SCREW  
(6) PLACES

FRONT



SIDE



REVISIONS		REMARKS
MM/DD/YY		
1	--/--/--	...
2	--/--/--	...
3	--/--/--	...
4	--/--/--	...
5	--/--/--	...

**DERBY INDUSTRIES**

Clothes Hook Strip (4)  
NW 608-4S

ITEM	DESCRIPTION	QTY
A	CLOTHES HOOK, 304 STAINLESS STEEL, 14 G.	1

UNLESS OTHERWISE SPECIFIED:  
DIMENSIONS ARE IN INCHES  
.XX = ±.030" .XXX = ±.010" ANGLE = ±1°