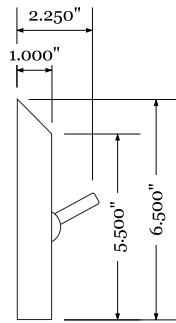
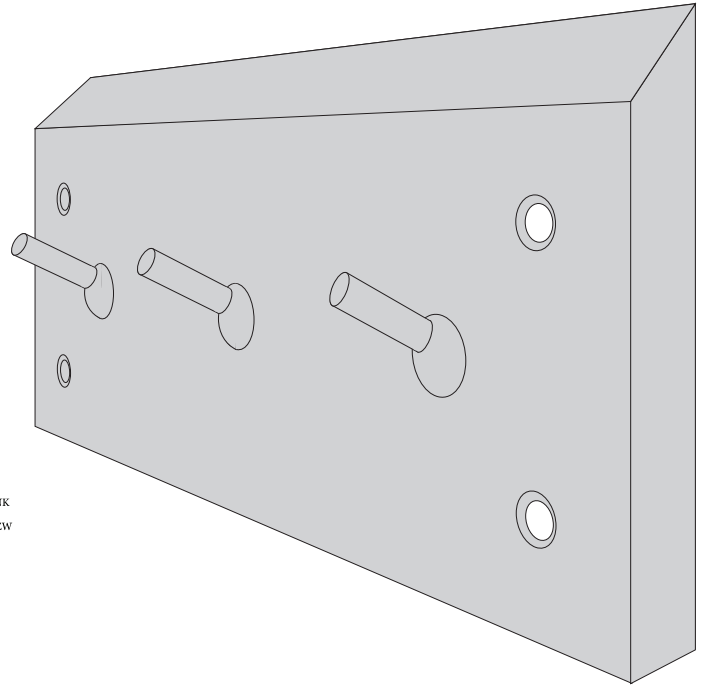
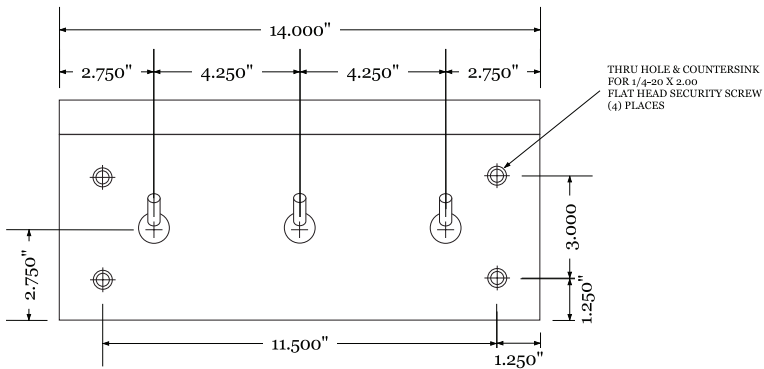


Clothes Hook Strip (3 Hook) NW 608-3S



SIDE



FRONT

OVERVIEW

Stainless steel clothes hook with collapsible ball-joint.

FABRICATION

14 gauge stainless steel slope top housing. Four countersunk mounting holes for 1/4-20 x 2" flat head security screws. Collapsible ball joint.

MATERIAL

- Type 304, 14 gauge stainless steel.
- Nylon insert.

FINISH

US32D.

WEIGHT

TBD

ASSEMBLY

No assembly required.

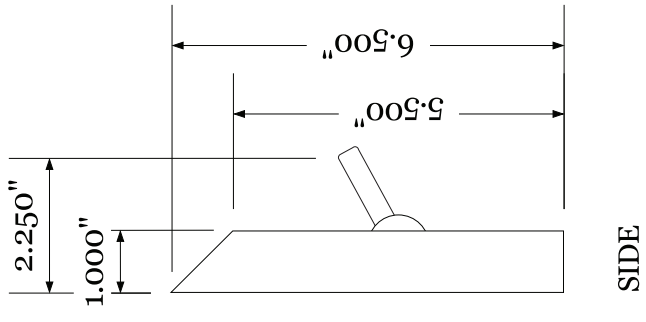
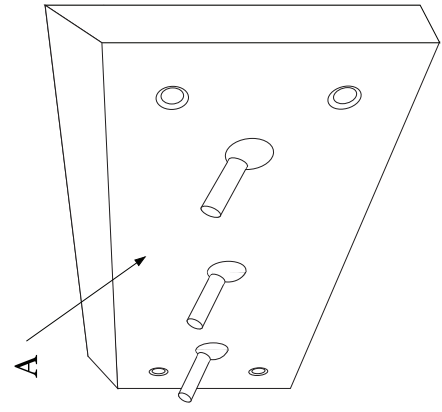
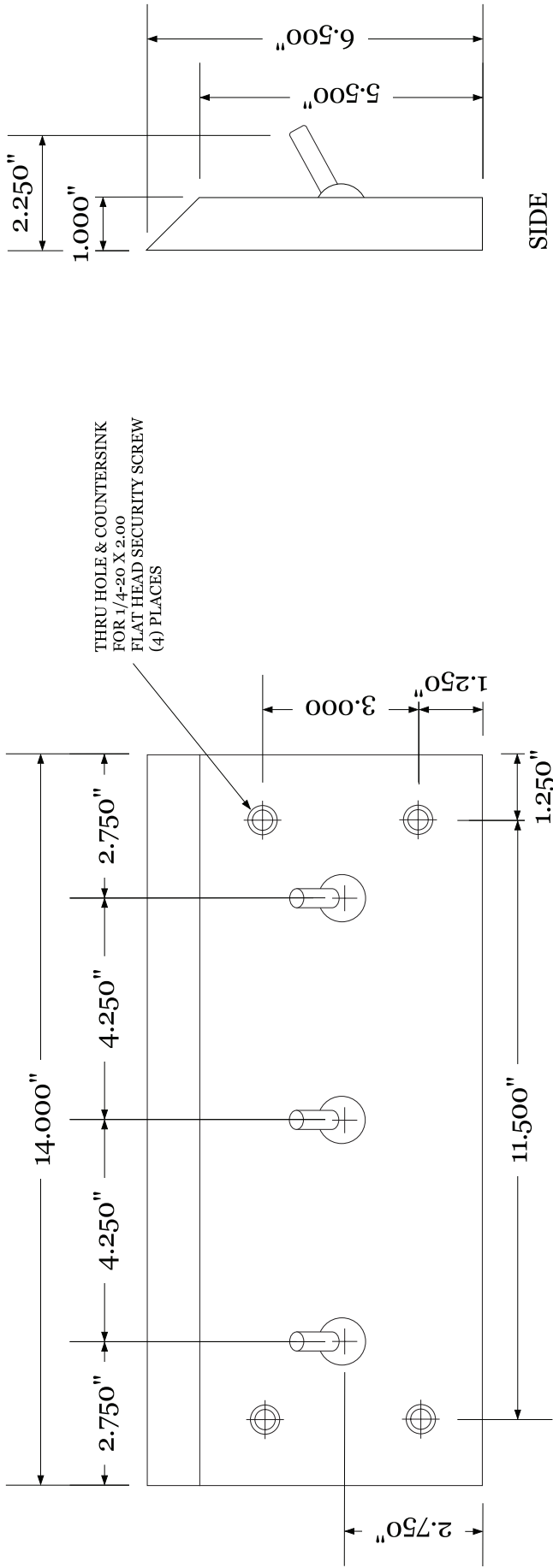
INSTALLATION

Surface mount to wall.*

MAINTENANCE

Easy clean up with a damp cloth and mild detergent.

*Floor and wall mounting hardware not included.



ITEM	DESCRIPTION	QTY	REVISIONS	
A	CLOTHES HOOK, 304 STAINLESS STEEL, 14 G.	1	MM/DD/YY	REMARKS
UNLESS OTHERWISE SPECIFIED: DIMENSIONS ARE IN INCHES .XX = ±.030" .XXX = ±.010" ANGLE = # °			1	...
			2	...
			3	...
			4	...
			5	...
			DERBY INDUSTRIES Clothes Hook Strip (3) NW 608-3S	
			100 A	