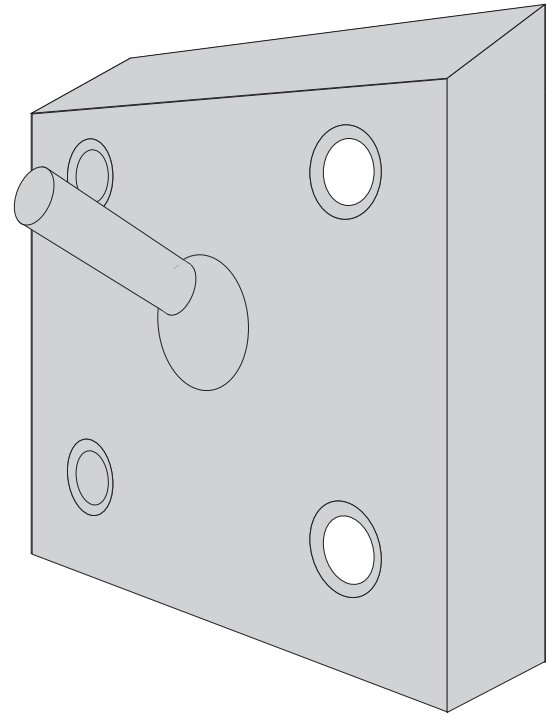
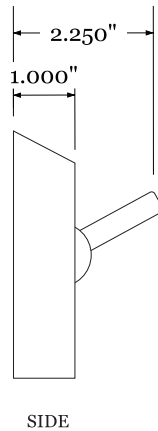
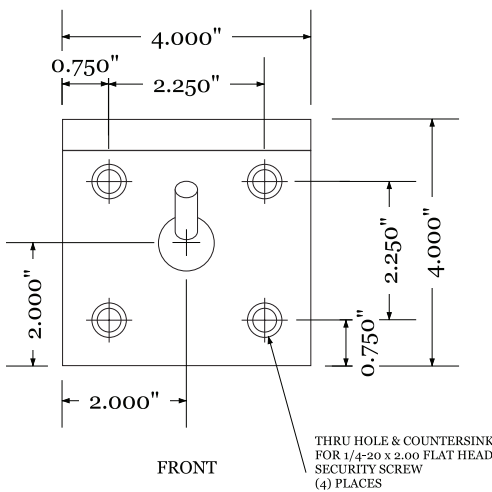


Clothes Hook NW 608



OVERVIEW

Stainless steel clothes hook with collapsible ball-joint.

FABRICATION

14 gauge stainless steel slope top housing. Four countersunk mounting holes for 1/4-20 x 2" flat head security screws. Collapsible ball joint.

MATERIAL

- Type 304, 14 gauge stainless steel.
- Nylon insert.

FINISH

US32D.

WEIGHT

TBD

ASSEMBLY

No assembly required.

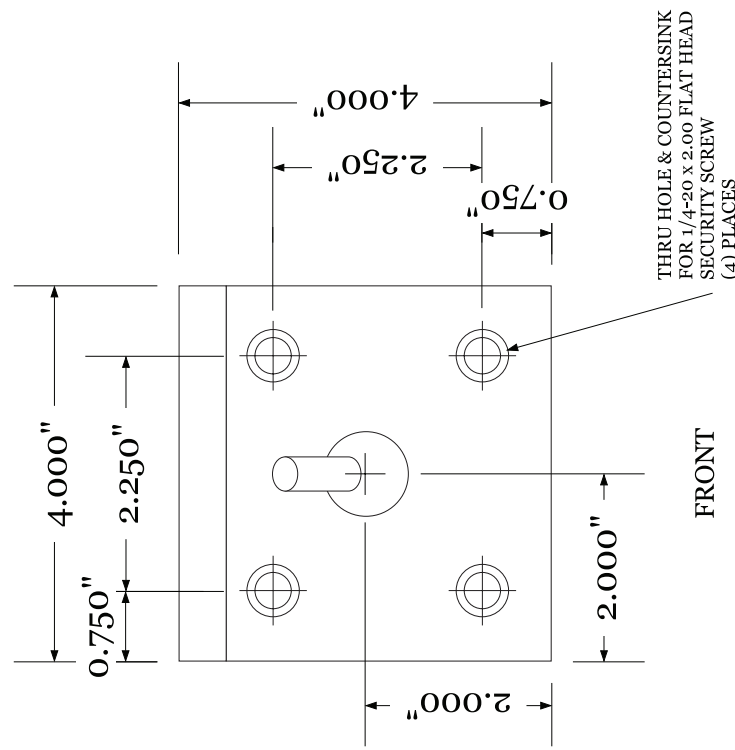
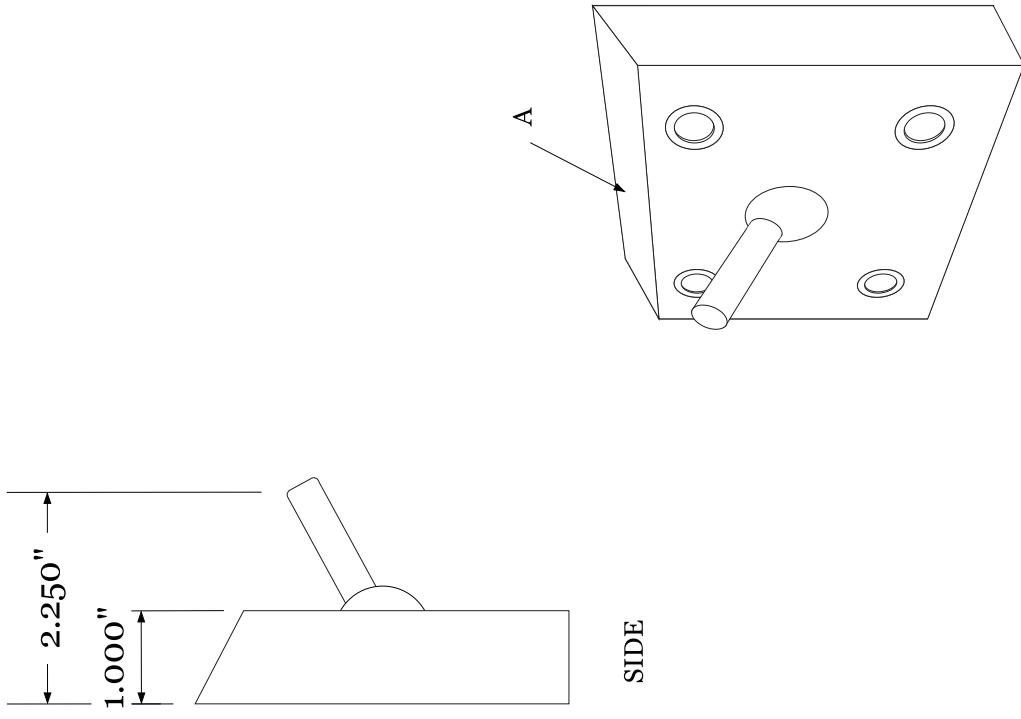
INSTALLATION

Surface mount to wall.*

MAINTENANCE

Easy clean up with a damp cloth and mild detergent.

*Floor and wall mounting hardware not included.



REVISIONS		REMARKS
MM/DD/YY		
1	---	...
2	---	...
3	---	...
4	---	...
5	---	...

DERBY
INDUSTRIES

Clothes Hook
NW 608

ITEM	DESCRIPTION	QTY
A	CLOTHES HOOK, 304 STAINLESS STEEL, 14 G.	1

UNLESS OTHERWISE SPECIFIED:
DIMENSIONS ARE IN INCHES
.XX = ±.030" .XXX = ±.010" ANGLE = # °