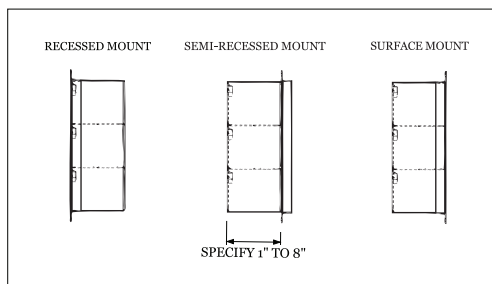
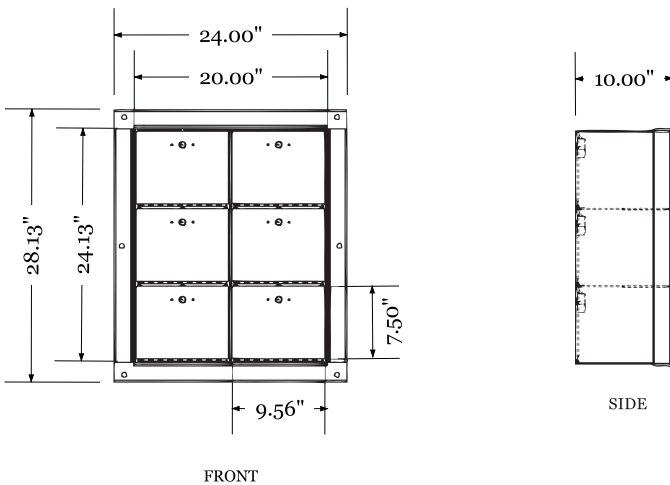


6 Compartment Pistol Cabinet PC-400-6



OVERVIEW

Six compartment flat door pistol cabinet.

FABRICATION

All joints welded and ground smooth. Body and doors are formed from 10 gauge sheet metal. Doors are lined with 1/8" felt. Hinge is made from 16 gauge steel continuous piano hinge. Individually keyed and master keyed pin tumbler snap locks with two keys per compartment. Mounting frame is constructed from 2" x 2" x 3/16" steel angle frame, welded to body exterior. Specify surface mount, recessed mount or custom.

MATERIAL

- Body and doors are made from 10 gauge sheet metal.
- Hinges are constructed from 16 gauge steel continuous piano hinge.
- Mounting frame is made from 2" x 2" x 3/16" angle steel.

FINISH

Chemically degreased and one coat universal rust inhibitive primer.

WEIGHT

TBD

OPTIONS

- PC-400-3 3 compartment pistol locker.
- PC-400-9 9 compartment pistol locker.
- PC-400-X Custom sizes lockers can be assembled into any number of compartments.

ASSEMBLY

No assembly required.

INSTALLATION

Mount to wall with screws or embeds.*

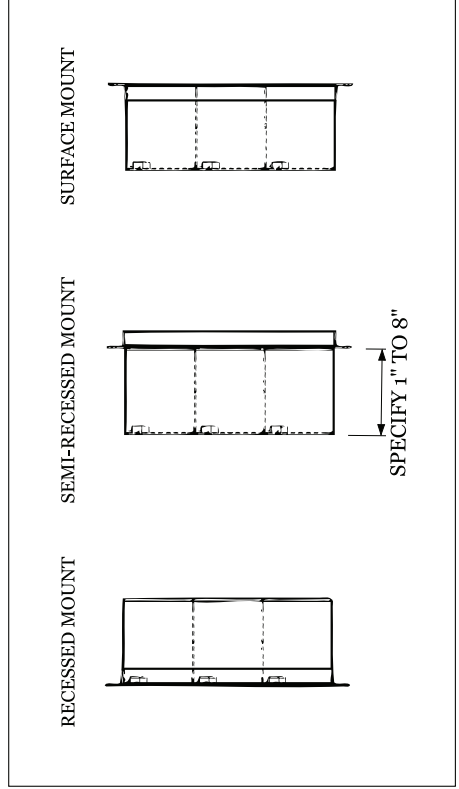
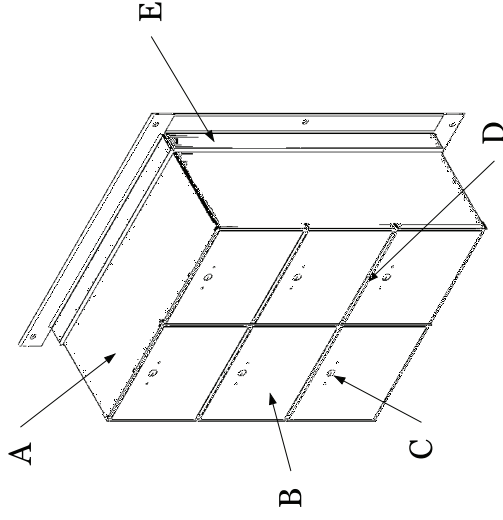
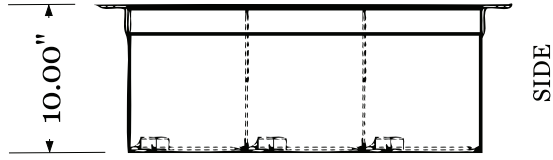
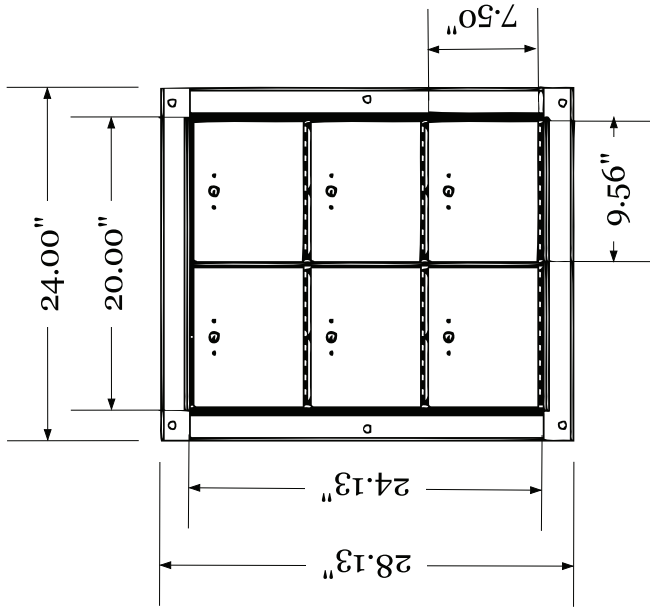
WARRANTY

1 year limited replacement warranty.

MAINTENANCE

Easy clean up with a damp cloth and mild detergent.

*Floor and wall mounting hardware not included.



| ITEM | DESCRIPTION | QTY |
|------|--|-----|
| A | BODY, SHEET METAL, 10 G. | 1 |
| B | DOOR, SHEET METAL, 10 G. | 6 |
| C | LOCK, KEYPIN TUMBLER SNAP LOCK | 6 |
| D | HINGE, STEEL CONTINUOUS PIANO HINGE, 16 G. | 6 |
| E | FRAME, STRUCTURAL ANGLE, 2" x 2" x 3/16" | 1 |

STANDARD TOLERANCES
 .X = ±.12" .XX = ±.06" .XXX = ±.03" ANGLE = ± 1°

DERBY
INDUSTRIES

6 Compartment Pistol Cabinet
PC-400-6

| REVISIONS | |
|-----------|---------|
| MM/DD/YY | REMARKS |
| 1 | ... |
| 2 | ... |
| 3 | ... |
| 4 | ... |
| 5 | ... |