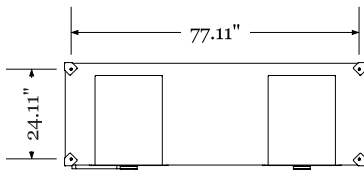
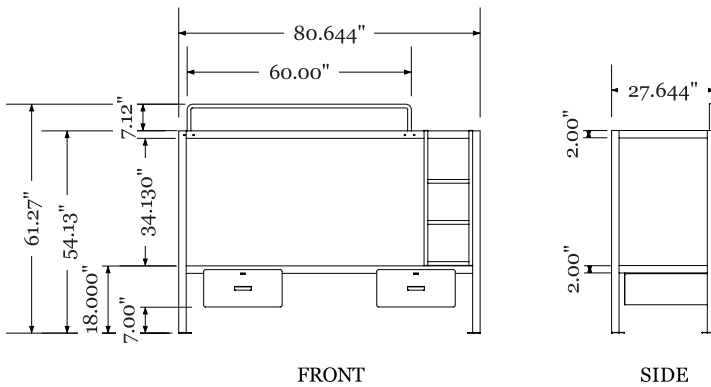
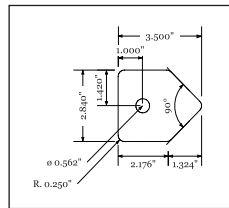


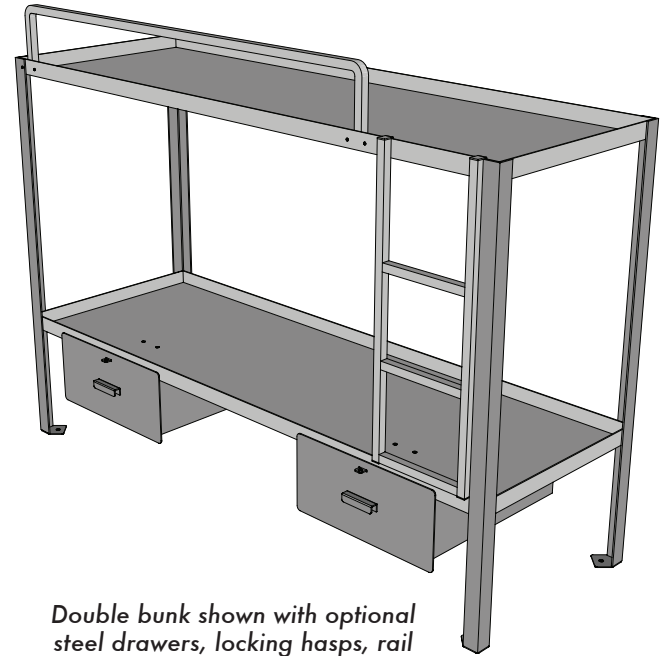
# The Derby Steel™ Welded Double Bunk



MOUNTING HOLE PATTERN DIMENSION  
(27" x 80" INSIDE BED PAN DIMENSION)



FLOOR MOUNT DETAIL



*Double bunk shown with optional  
steel drawers, locking hasps, rail  
and ladder.*

## OVERVIEW

Heavy duty steel double bunks intended for sleeping areas in correctional environments.

## FABRICATION

Laser cut and welded steel bed pans. All bunks have a baked-on polyester powder coat semi-gloss finish. Slide rails and drawers are constructed from welded steel. Welded steel hasps for securing drawers with padlocks if desired.

## MATERIAL - OPTIONS AS SHOWN

- (2) 27" x 80" 10 gauge steel pans.
- 2" x 2" x 3/16" standard angle steel legs.
- 12 gauge floor mounting tabs with 9/16" diameter holes are provided for welding or bolting to the floor.
- 18" x 24" Steel drawers have 12 gauge bodies and 10 gauge faceplates with 10 gauge handles.
- 10 gauge security hasps.
- 2" x 2" x 3/16" standard angle steel drawer stops.
- 12 gauge slide rails.
- 1" box tubing safety rail welded to 1/4" bunk mounts.
- 1" box tubing ladder welded to 10 gauge hooks and braces.

## COLOR

Vitracoat T.K. Gray.

## WEIGHT

TBD

## OPTIONS

- Steel drawers.
- Locking hasps.
- Rail slides for property boxes.
- Steel shelves.
- Prime coat.
- 12 gauge steel w/hemmed bed pan edges.
- Custom sizes available.

## ASSEMBLY

No assembly required.

## INSTALLATION

Weld or bolt unit to wall plates or bolt to floor.\*

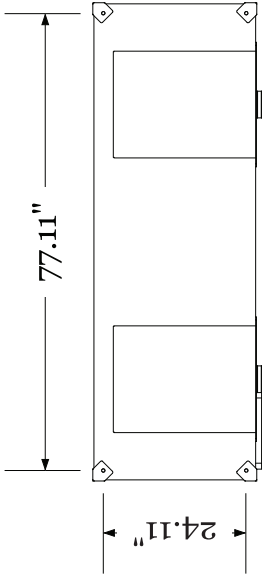
## WARRANTY

1 year limited replacement warranty.

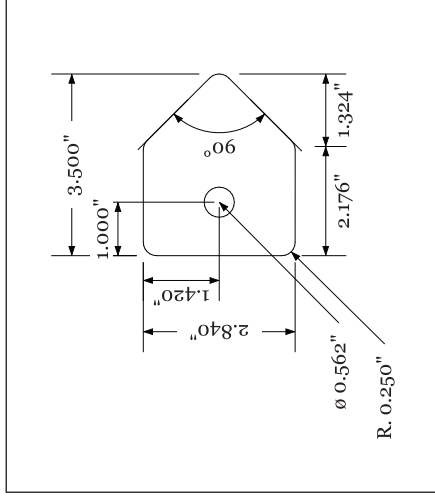
## MAINTENANCE

Easy clean up with a damp cloth and mild detergent.

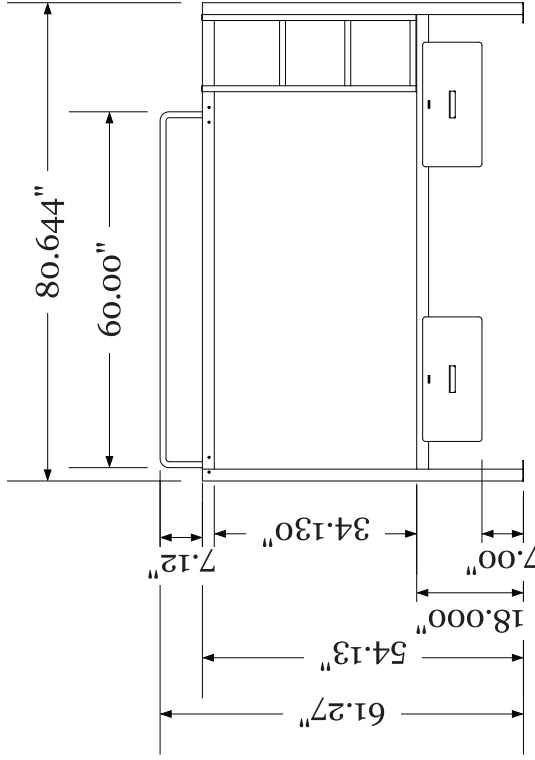
\*Floor and wall mounting hardware not included.



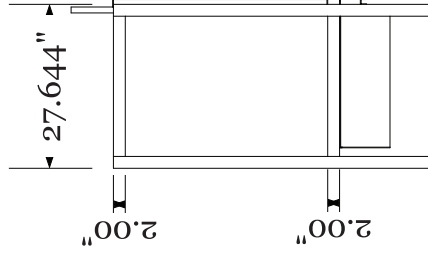
MOUNTING HOLE PATTERN DIMENSION  
(27" x 80" INSIDE BED PAN DIMENSION)



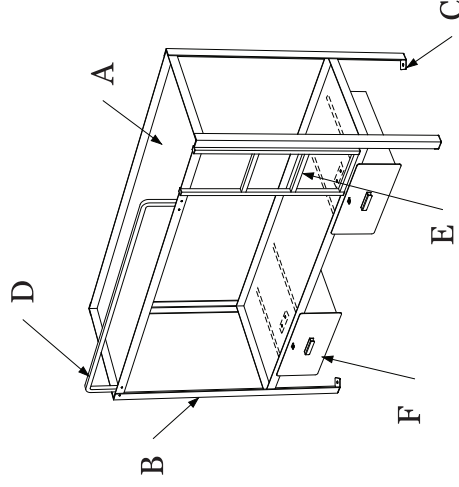
FLOOR MOUNT DETAIL



FRONT



SIDE



ITEM	DESCRIPTION	QTY
A	BED PAN, SHEET METAL, 10 G. HRPO (OPTIONAL 12 G. w/HEMMED EDGES)	2
B	BUNK LEG, STRUCTURAL ANGLE, 2" x 2" x 3/16"	4
C	FLOOR MOUNT, SHEET METAL, 12 G. HRPO	4
D	SAFETY RAIL (SEE COMPONENT PRINTS)	1
E	LADDER (SEE COMPONENT PRINTS)	1
F	DRAWER (SEE COMPONENT PRINTS)	2

STANDARD TOLERANCES .X = ±.12" .XX = ±.06" .XXX = ±.03" ANGLE = ± 1°



**DERBY INDUSTRIES**

27" x 80" Double Floor Bunk Frame (Welded)  
w/Optional Drawers, Ladder and Safety Rail

REVISIONS	
MM/DD/YY	REMARKS
1	...
2	...
3	...
4	...
5	...