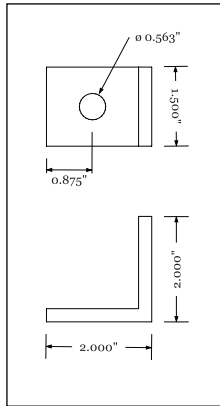
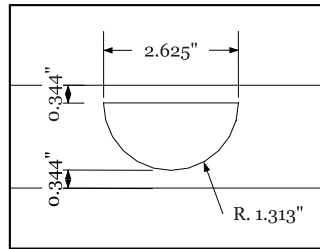


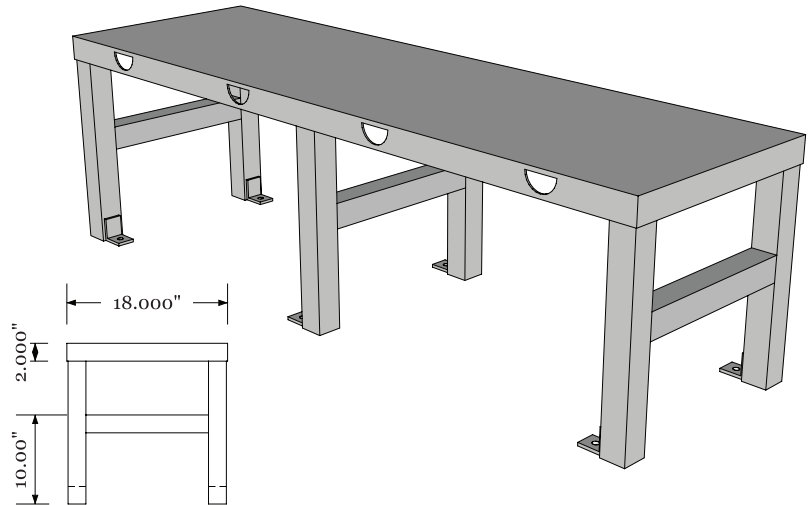
The Derby Steel™ Welded 5' Security Bench w/ Laser Cut Integrated Cuff Slots



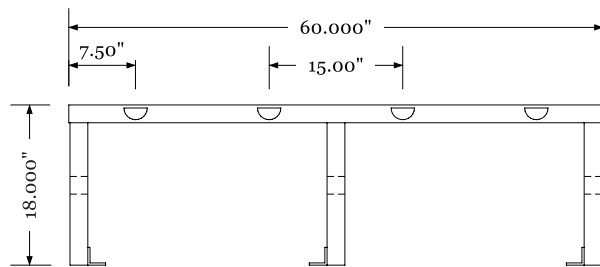
FLOOR MOUNT DETAIL



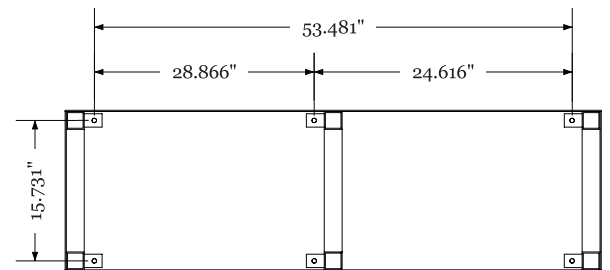
DETAIL OF CUFF SLOT



SIDE



FRONT



MOUNTING HOLE PATTERN DIMENSIONS

OVERVIEW

Heavy duty steel benches with integrated laser cut cuff slots for correctional holding areas.

FABRICATION

All welded construction. Laser cut cuff slots. Steel seating surface with box tubing frame. Bench has a baked on polyester powder coat finish.

MATERIAL

- 18 x 60" 10 gauge steel bench top.
- 2" standard steel box tubing legs and support braces.
- Steel 1/4" floor mounting tabs with 9/16" diameter holes are provided for welding or bolting to the floor.

COLOR

Vitracoat T.K. Gray.

WEIGHT

TBD

OPTIONS

- Prime coat.
- 14 gauge stainless steel bench top Type 304 2B Finish.
- Cuff slot locations on both sides of bench.

ASSEMBLY

No assembly required.

INSTALLATION

Bolt or weld unit to floor.*

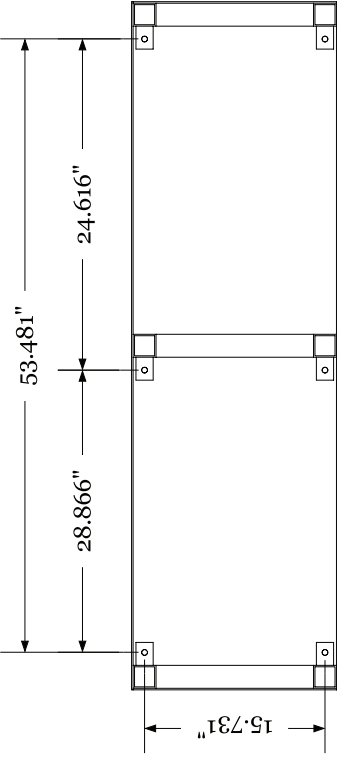
WARRANTY

1 year limited replacement warranty.

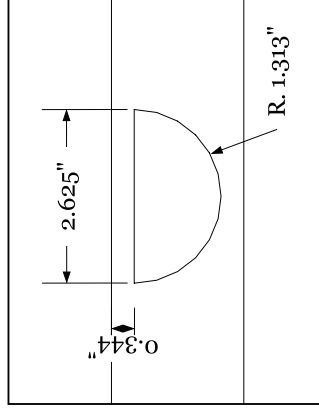
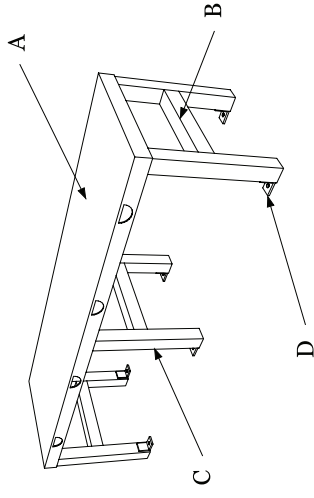
MAINTENANCE

Easy clean up with a damp cloth and mild detergent.

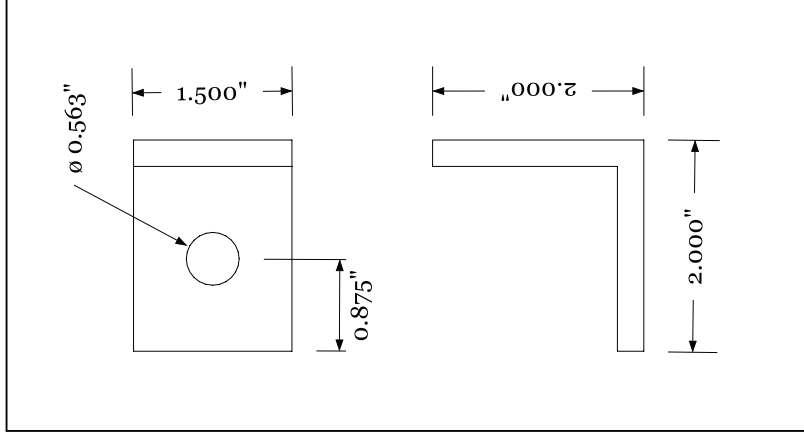
*Floor and wall mounting hardware not included.



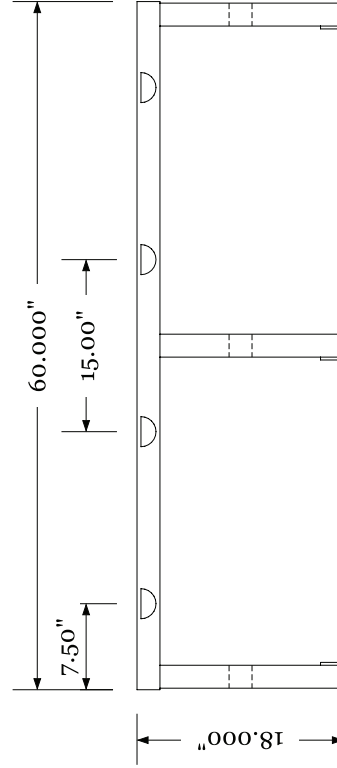
MOUNTING HOLE PATTERN DIMENSIONS



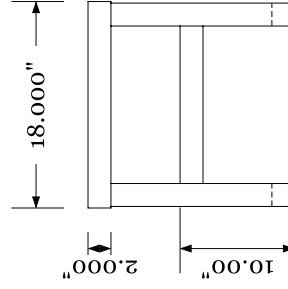
DETAIL OF CUFF SLOT



FLOOR MOUNT DETAIL



FRONT



SIDE

ITEM	DESCRIPTION	QTY
A	BENCH TOP, SHEET METAL, 10 G, HRPO	1
B	LEG SUPPORT, 2" BOX TUBING, 14 G.	3
C	LEG, 2" BOX TUBING, 14 G.	6
D	FLOOR MOUNT, SHEET METAL, 1/4"	6

STANDARD TOLERANCES
 .X = ±.12" .XX = ±.06" .XXX = ±.03" ANGLE = ± 1°



5' Floor Cuff Bench (Welded)

REVISIONS		REMARKS
MM/DD/YY		
1	---	...
2	---	...
3	---	...
4	---	...
5	---	...